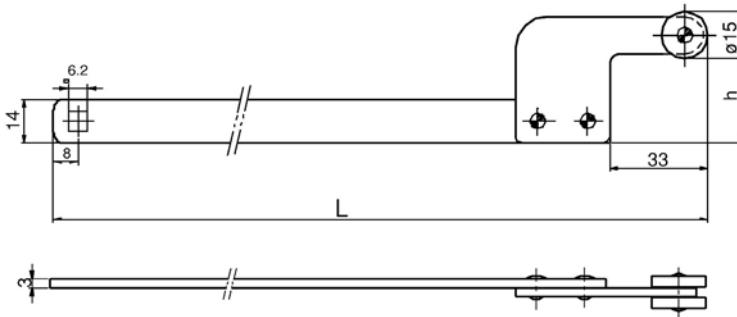
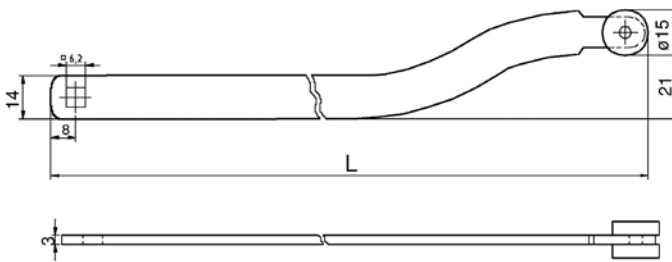


# Flat Rod, Latching System Set

for quarter turn fasteners



A032.AC013, AC016 & AC027



A032.AC021

Order No.	h ± 0,3	L ± 5	Set Contents
A032.AC013	13	1020	2 pcs. flat rod with roller 4 pcs. rod guides
A032.AC016	16	1020	2 pcs. flat rod with roller 4 pcs. rod guides
A032.AC021	21	1020	2 pcs. flat rod with roller 4 pcs. rod guides
A032.AC027	27	1020	2 pcs. flat rod with roller 4 pcs. rod guides



## A032



### Material

Rod: zinc plated steel.  
Rollers: polyamide, Pa6 GFR 30.

### Technical Notes

For use with our quarter turn fasteners, making a fully comprehensive latching system. "h" dimension is the height between base of the rod and inside of door.

### Referral

For enclosure seals see Z100 page 334.

**CAD MODELS**  
available  
in wide  
range of  
formats

Request  
Your Copy

PAWLS & CAV LATCHES