

A035


Material

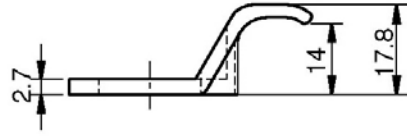
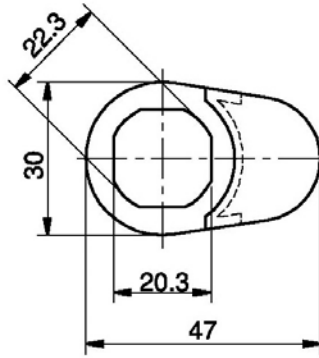
Polyamide DIN-EN ISO 1043-1 PA6 GFR 30, black.

Technical Notes

For use with all quarter turn fasteners with 28 to 30 mm dia body.

Finger Pulls

for Flexi-System quarter turn fasteners


Order No.

A035.AC028

To Suit Fastener dia. mm

28 to 30

