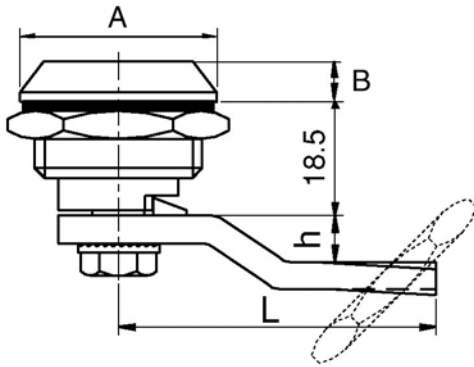
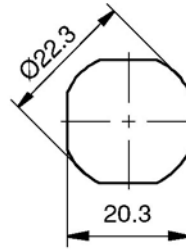


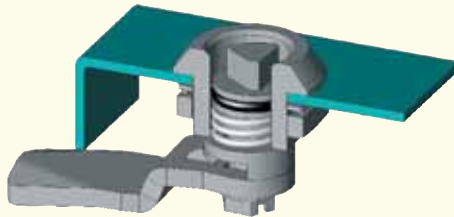
Quarter Turn Fasteners, Flexi-System standard



Flexi System - cut out



Order No. Type One	Order No. Type Two	Insert Type	A	B
A100.AC010	A100.AC310	Square 7	30	6
A100.AC020	A100.AC320	Square 8	30	6
A100.AC040	A100.AC340	Triangle 7	30	6
A100.AC050	A100.AC350	Triangle 8	30	6
A100.AC060	A100.AC360	Pin 3 mm	30	6
A100.AC070	A100.AC370	Pin 5 mm	30	6
A100.AC080	A100.AC380	Slotted	30	6



A100



Material

Type One-

Housing & Insert: die cast zinc, chrome plated.

Type Two-

Housing and Insert: die cast zinc, black powder coated.

Flat Gasket: PU and Rubber.

Technical Notes

Quarter-turn fastener for any application, securing doors, cabinets etc. Supplied unassembled with flat gasket to achieve IP65 or NEMA 4 rating.

Dimension "h" is the distance by which the cam is offset.

To select correct cam offset use cam selection formula on page 52.

Tips

Order cams and key separately.

Keys- A010 page 51.

Suitable Cams- A020, A022 and A024 page 52.

Select cams with projection.

Rods and guides- A030 page 56 to A032 page 57.

Other inserts available, subject to minimum order quantities.

Referral

For enclosure seals see Z100 page 334.

PAWLS & CAM LATCHES