

# A102



### Material

Body and Insert: Polyamide DIN-EN ISO 1043-1 PA6 GFR30.  
Nut: steel, zinc plated.  
Flat Gasket: PU and Rubber.

### Technical Notes

Quarter-turn fastener for any application, securing doors, cabinets etc. Supplied unassembled with flat gasket to achieve IP65 or NEMA 4 rating.

Dimension "h" is the distance by which the cam is offset. **To select correct cam offset use "h" calculation formula on page 52.**

### Tips

Order cams and key separately.  
Keys- A010 page 51.  
Suitable Cams- A020, A022 and A024 page 52.

### Select cams with projection.

Rods and guides- A030 page 56 to A032 page 57.

Other inserts available, subject to minimum order quantities.

### Important Notes

To select correct cam off-set, use the following calculation:

$$h = Df - Ql$$

where;

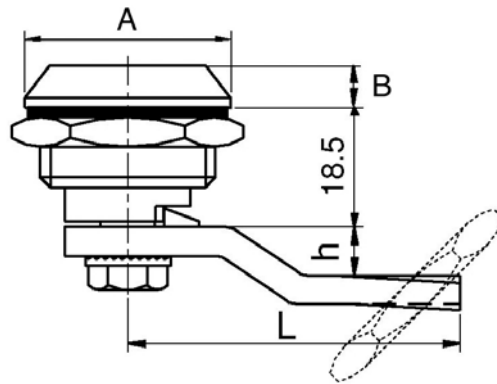
h = required Cam offset.

Df = depth of cabinet or enclosure frame.

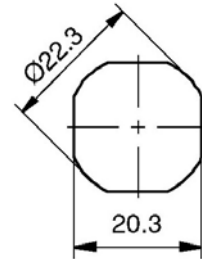
Ql = body length of quarter turn fastener to be used.

## Quarter Turn Fastener, Flexi-System

plastic body and insert



Flexi System - cut out



Order No.	Insert Type Plastic	A	B
A102.AC010	Square 7	30	5
A102.AC020	Square 8	30	5
A102.AC040	Triangle 7	30	5
A102.AC050	Triangle 8	30	5
A102.AC060	Pin 3 mm	30	5
A102.AC070	Pin 5 mm	30	5
A102.AC080	Slotted	30	5

