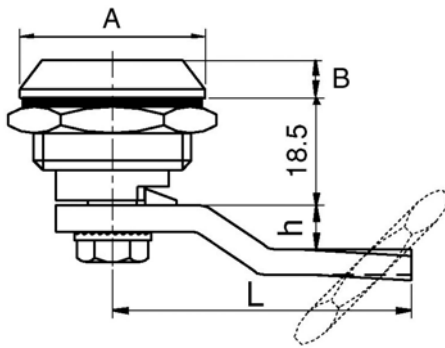
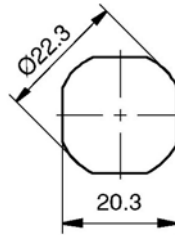


Quarter Turn Fasteners, Flexi-System

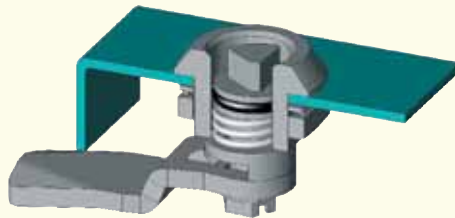
stainless steel



Flexi System - cut out



Order No.	Insert Type	A	B
A110.AC010	Square 7	28	4
A110.AC020	Square 8	28	4
A110.AC040	Triangle 7	28	4
A110.AC050	Triangle 8	28	4
A110.AC060	Pin 3 mm	28	4
A110.AC070	Pin 5 mm	28	4
A110.AC080	Slotted	28	4



A110



Material

Body & Insert: AISI 304, stainless steel.

Flat Gasket: PU & Rubber.

Technical Notes

Quarter-turn fastener for any application, securing doors, cabinets etc. Supplied unassembled with flat gasket to achieve IP65 or NEMA 4 rating.

Dimension "h" is the distance by which the cam is off-set. **To select correct cam offset use "h" calculation formula on page 52.**

Tips

Order cams and key separately.

Keys- A010 page 51. Suitable Cams- A020, A022 and A024 page 52.

Select cams with projection.

Rods and guides- A030 page 56 to A032 page 57.

Other inserts available, subject to minimum order quantities.

PAWL & CAM LATCHES