

A112



Material

Body and Insert: Polyamide DIN-EN ISO 1043-1 PA6 GFR30, black.

Technical Notes

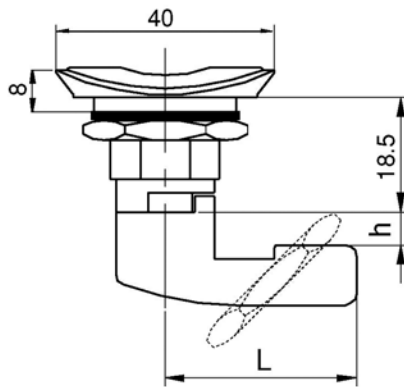
Quarter-turn fastener for any application, securing doors, cabinets etc.
 Plastic body incorporates a moulded finger catch for easy opening of cabinet/enclosure.
 Dimension "h" is the distance by which the cam is off-set. **To select correct cam offset use "h" calculation formula on page 52.**

Tips

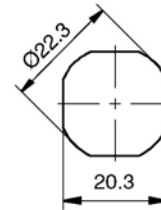
Order cams and key separately.
 Keys- A010 page 51.
 Suitable Cams- A020, A022 and A024 page 52.
Select cams with projection.
 Rods and guides- A030 page 56 to A032 page 57.
 Other inserts available, subject to minimum order quantities.

Quarter Turn Fasteners, with Finger Catch

plastic body & insert, Flexi-System



Flexi System - cut out



Order No.	Insert Type
A112.AC010	Square 7
A112.AC020	Square 8
A112.AC040	Triangle 7
A112.AC050	Triangle 8
A112.AC060	Pin 3 mm
A112.AC070	Pin 5 mm
A112.AC080	Slotted

