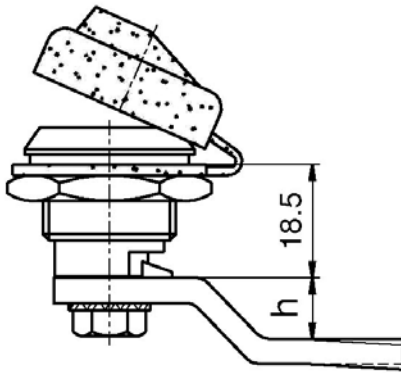
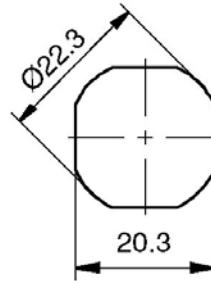


Quarter Turn Fasteners, Flexi-System

with dust cap



Flexi System - cut out



Order No.

A114.AC010
A114.AC020
A114.AC040
A114.AC050
A114.AC060
A114.AC070
A114.AC080

Insert Type

Square 7
Square 8
Triangle 7
Triangle 8
Pin 3 mm
Pin 5 mm
Slotted



A114



Material

Body: die cast zinc, chrome plated.
Dust Cap: Polyurethane.

Technical Notes

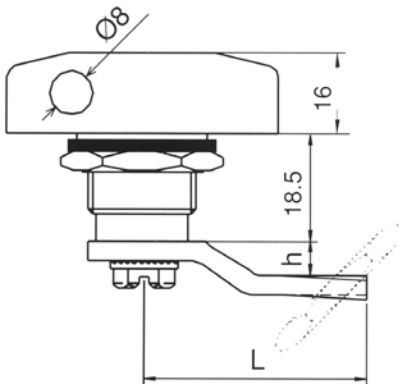
Dust cap provides protection against ingress of materials into insert mechanism.
Dimension "h" is the distance by which the cam is off-set. **To select correct cam offset use "h" calculation formula on page 52.**

Tips

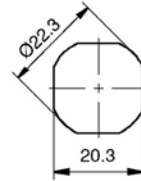
Suitable Cams- A020, A022 and A024 page 52.
Select cams with projection.

Quarter Turn Fasteners, Flexi-System

with padlockable wing knob



Flexi System - cut out



Order Number

A116.AC010
A116.AC020

Type

Right
Left



A116



Material

Body: die cast zinc, chrome plated.
Flat Gasket: PU & Rubber.

Technical Notes

The wing knob can be locked with a suitable padlock for additional security. Maximum padlock shackle diameter 8 mm.
Dimension "h" is the distance by which the cam is offset. **To select correct cam offset use "h" calculation formula on page 52.**

Tips

Suitable Cams- A020, A022 and A024 page 52.
Select cams without projection.