

A118



Material

Type One-

Body: die cast zinc, chrome plated.
Wing Knob: die cast zinc, chrome plated or black powder coated.
Flat Gasket: PU & Rubber.

Type Two-

Body & Wing Nut: Polyamide DIN-EN ISO 1043-1 PA6 GFR30, black.
Flat Gasket: PU & Rubber.

Technical Notes

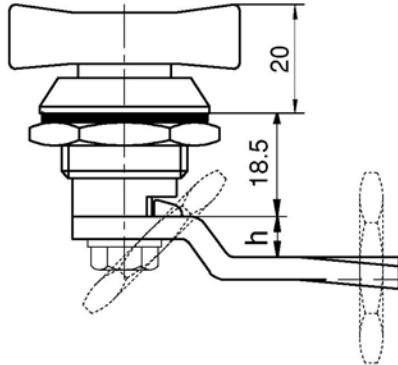
Dimension "h" is the distance by which the cam is off-set. **To select correct cam offset use "h" calculation formula on page 52.**

Tips

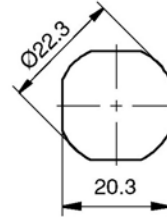
Order cams and key separately.
Keys- A010 page 51.
Suitable Cams- A020, A022 and A024 page 52.
Select cams with projection.
Rods and guides- A030 page 56 to A032 page 57.
Other inserts available, subject to minimum order quantities.

Quarter Turn Fasteners, Flexi-System

with wing knob



Flexi System - cut out



Order No.	Type	Body	Wing Knob	Finish
A118.AC010	Type One	Die cast zinc	Die cast zinc	Chrome Plated
A118.AC310	Type One	Die cast zinc	Die cast zinc	Black powder coated
A118.AC510	Type Two	Polyamide	Polyamide	Black