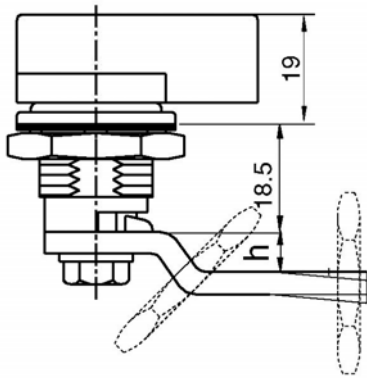
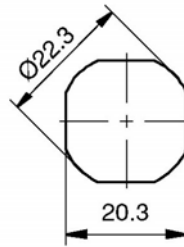


Quarter Turn Fasteners, Flexi-System with finger knob



Flexi System - cut out



Order No.	Type
A120.AC010	Finger Knob



A120



Material

Body: die cast zinc, chrome plated.
Flat Gasket: PU & Rubber.

Technical Notes

Unobtrusive finger knob makes for easy operation of fastener. Dimension "h" is the distance by which the cam is offset. **To select correct cam offset use "h" calculation formula on page 52.**

Tips

Order cams and key separately.
Keys- A010 page 51.
Suitable Cams- A020, A022 and A024 page 52.
Select cams with projection.
Rods and guides- A030 page 56 to A032 page 57.
Other inserts available, subject to minimum order quantities.

