

A128



Material

Type One-
Housing & insert: die cast zinc, chrome plated.

Type Two-
Housing and Insert: die cast zinc, black powder coated.

Flat Gasket: PU and Rubber.

Technical Notes

Quarter-turn fastener for any application, securing doors, cabinets etc. Supplied unassembled. Dimension "h" is the distance by which the cam is off-set.

To select correct cam offset use "h" calculation formula on page 52.

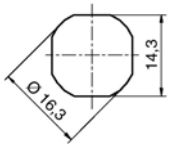
Tips

Order cams and key separately.
Keys- A010 page 51.
Suitable Cams- A026 page 55.
Select cams with projection.
Rods and guides- A030 page 56 to A032 page 57.
Other inserts available, subject to minimum order quantities.

Important Notes

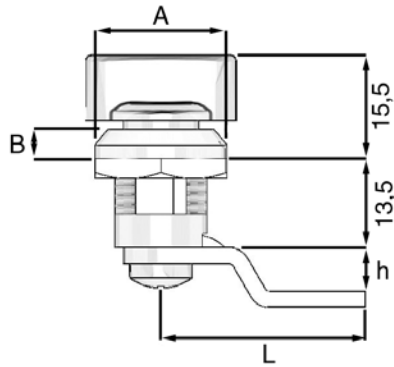
Installation via cut out of 16.3mm Ø or 14.3mm square.

Cut out dimensions:



Mini Quarter Turn Fasteners

with wing knobs



Order No. Type One	Order No. Type Two	Insert Type	A	B
A128.AC010	A128.AC310	Black Powder Coated	20	4,5

