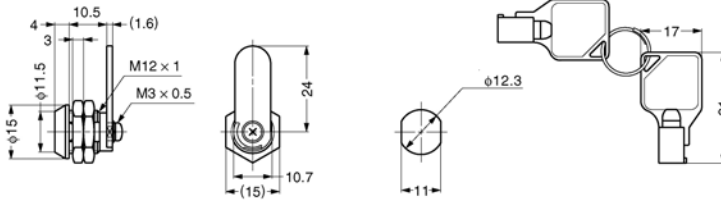
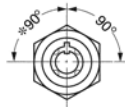


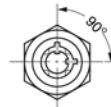
## Mini Cam Locks with keys



bore dimensions



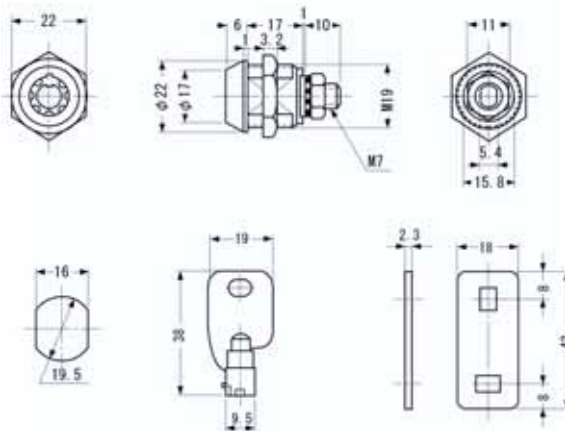
A150.AC005



A150.AC015

Order No.	Type	g
A150.AC005	One key slot	25
A150.AC015	Two key slots	25

## Cam Locks with keys



Order No.	Type	g
A160.AC005	One key slot	55



## A150



### Material

Body: zinc alloy, chrome plated.  
Cam: steel, zinc chromate plated.  
Key: steel and brass, nickel plated.  
All other parts: steel, nickel plated.

### Technical Notes

One key slot type; in unlocked position key cannot be removed, and acts as knob.  
Cam can be reversed for left or right locking.

### Important Notes

Use cut out , 12,3 dia, 11,0 square.



## A160



### Material

Body: Brass, chrome plated.  
Key: steel, nickel plated.  
All other parts: steel, zinc chromate.

### Technical Notes

In unlocked position key cannot be removed, and acts as knob. Cam can be reversed for left or right locking. Suitable for applications with maximum door thickness of 10mm.

### Tips

Suitable for vending and gaming machines, parking meters, coin lockers and other metal enclosures. For smaller bodied version see part A150 page 69.

### Important Notes

Cut out dimensions, 19,5 dia, 16,0 square.