

A170



Material

Body: brass, chrome plated.
Key: brass, nickel plated.
All other parts: steel, yellow zinc chromate.

Technical Notes

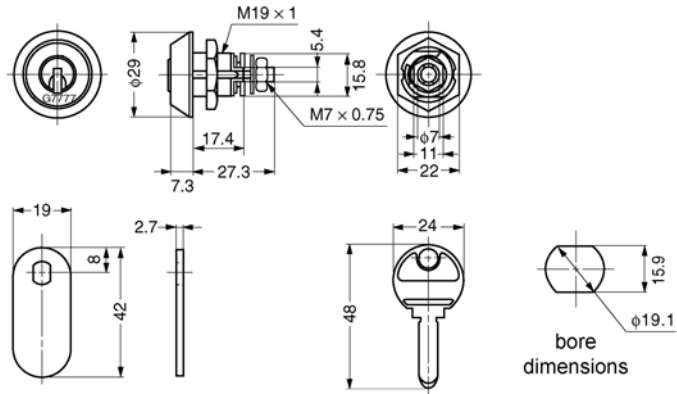
High security key, which cannot be copied. In unlocked position key cannot be removed, and acts as knob.
Cam can be reversed for left or right locking.
Cut out dimensions, 19,1 dia, 15,9 square.

Tips

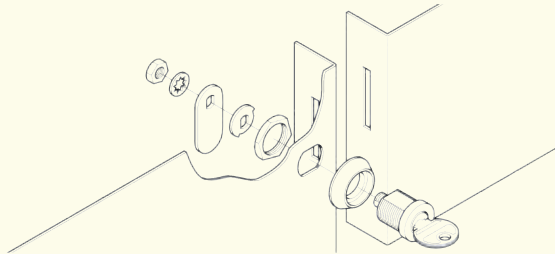
Ideal for vending machines and parking meters and other metal enclosures.

Cam Locks

high security



Order No.	Type	
A170.AC025	Cam lock	g 120



A180



Material

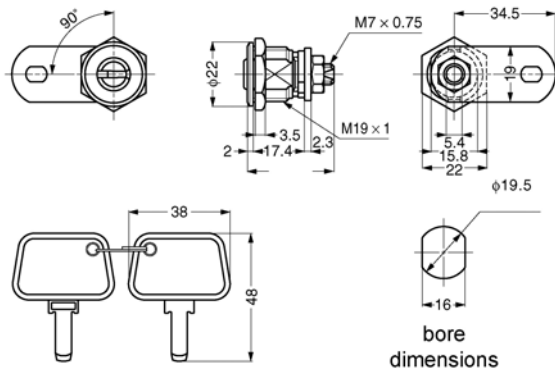
Body: brass, chrome plated.
Key: brass, nickel plated, with plastic cover.
All other parts: steel, zinc chromate.

Technical Notes

In unlocked position key cannot be removed, and acts as knob.
Cam can be reversed for left or right locking.

Cam Locks

with key



Order No.	Type	
A180.AC205	Cam lock	g 65