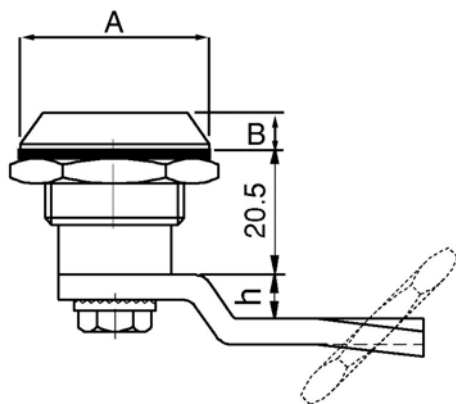
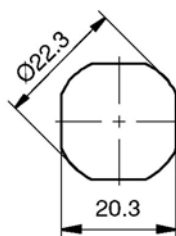


## Quarter Turn Cylinder Locks, Flexi-System



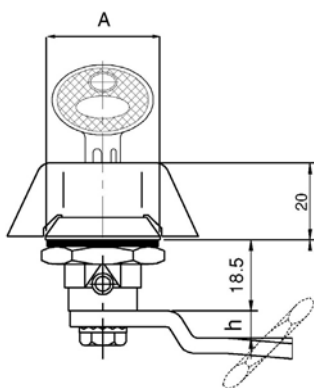
Flexi System - cut out



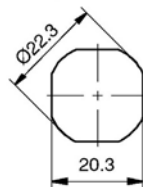
Order No.	Finish	Key Type	A	B
A200.AC010	Chrome plated	Keyed alike	30	6
A200.AC020	Chrome plated	Keyed to differ	30	6
A200.AC310	Black coated	Keyed alike	30	6
A200.AC320	Black coated	Keyed to differ	30	6

## Quarter Turn Cylinder Locks, Flexi-System

with wing knob



Flexi System - cut out



Order No.	Key Type	Body	Wing Knob	A
A220.AC010	Keyed alike	Zinc, chrome plated	Zinc, chrome plated	30
A220.AC020	Keyed to differ	Zinc, chrome plated	Zinc, chrome plated	30
A220.AC310	Keyed alike	Zinc, chrome plated	Zinc, black coated	30
A220.AC320	Keyed to differ	Zinc, chrome plated	Zinc, black coated	30
A220.AC510	Keyed alike	Zinc, chrome plated	Plastic	30
A220.AC520	Keyed to differ	Zinc, chrome plated	Plastic	30



## A200



### Material

Body: die cast zinc, chrome plated or black powder coated.  
Flat Gasket PU and Rubber.

### Technical Notes

Disc tumbler cylinder locks with universal left and right application. Supplied sealed to IP65 or NEMA 4 rating. Dimension "h" is the distance by which the cam is offset. **To select correct cam offset use "h" calculation formula on page 52.**

### Tips

Suitable Cams- A020, A022 and A024 page 52.  
**Select cams without projection.**



## A220



### Material

Body: die cast zinc, chrome plated.  
Wing Knob: die cast zinc, chrome plated or black powder coated, or plastic. Flat Gasket: PU & Rubber.

### Technical Notes

Disc tumbler cylinder locks with universal left and right application. Supplied sealed to IP65 or NEMA 4 rating. Dimension "h" is the distance by which the cam is offset. **To select correct cam offset use "h" calculation formula on page 52.**

### Tips

Suitable Cams- A020, A022 and A024 page 52.  
**Select cams without projection.**