

A250



Material

Body: die cast zinc, chrome plated.
Flat Gasket: PU and rubber.

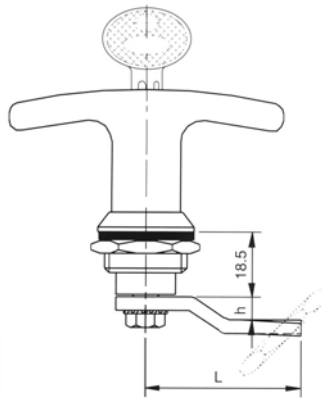
Technical Notes

Dimension "h" is the distance by which the cam is off-set. **To select correct cam off-set use "h" calculation formula on page 52.**

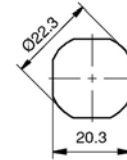
Tips

Suitable Cams- A020, A022 and A024 page 52.
Select cams without projection.

Quarter Turn Cylinder Lock, T-Handled, Flexi-System



Flexi System - cut out



Order No.	Key Type
A250.AC010	Keyed alike
A250.AC020	Keyed to differ

A252



Material

Body: die cast zinc, chrome plated.
Flat Gasket: PU and rubber.

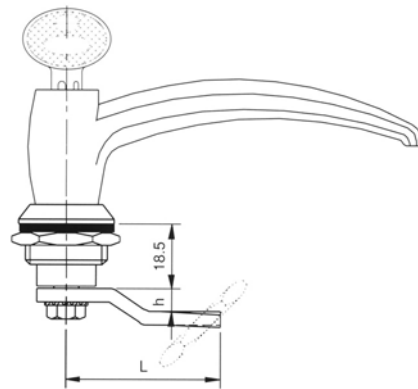
Technical Notes

Dimension "h" is the distance by which the cam is off-set. **To select correct cam off-set use "h" calculation formula on page 52.**

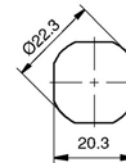
Tips

Suitable Cams- A020, A022 and A024 page 52.
Select cams without projection.

Quarter Turn Cylinder Lock, L-Handled, Flexi-System



Flexi System - cut out



Order No.	Key Type
A252.AC010	Keyed alike
A252.AC020	Keyed to differ