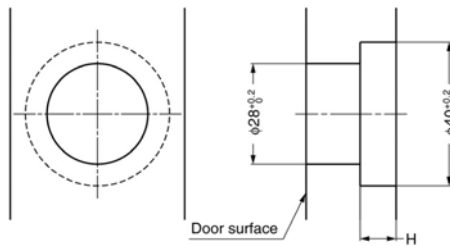
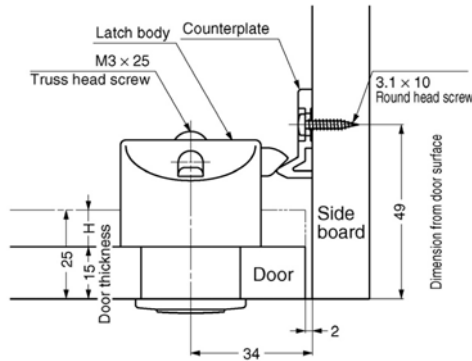


Push Knobs

with latch, for overlay doors



E080



mounting dimension



PUSH TO CLOSE LATCHES

Material

Push Knob: zinc alloy.
Body and Catch Plate: ABS plastic, black.

Technical Notes

Suitable for door/wall thicknesses 15 to 30mm, for 13mm door use a 2mm plastic spacer.
When installed the push knob is near flush with surface, raised only 4mm from surface.
Supplied with screws (M3.1 x 10 and M3.1 x 28), and catch plate.

Tips

To operate the push knob:

- Step 1:** door closed, latch is engaged.
- Step 2:** depress knob to flush position to lock.
- Step 3:** depress knob to the out position to unlock latch.

For surfaces between 15 to 25mm thick no counter bore is required.
For surfaces from 26 to 35mm thick, 40mm dia. counter bore of depth "H" is required.
H = door thickness - 25mm.

Important Notes

Do not activate the latch before closing the door, it may damage the unit.

Other dimensions as per E030 page 96. See diagram for mounting dimensions.

White body and spacer available on request, subject to minimum quantity requirements.

Order No.	Description	Finish	Holding Force Kg	g
E080.AC030	Push knob	Gold	10	72
E080.AC040	Push knob	Chrome	10	72
E080.AC050	Push knob	Black nickel	10	72
E080.AC720	Spacer 2 mm	Black	-	2



Gold



Chrome



Black Nickel