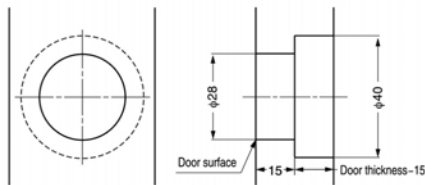
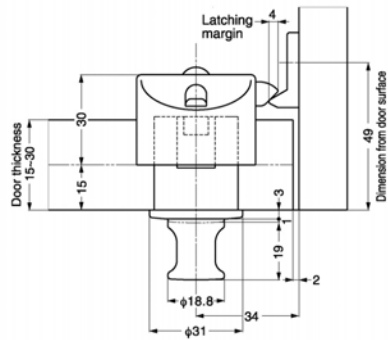


Push Knobs

with latch, for overlay doors



E120



PUSH TO CLOSE LATCHES

Material

Body, Push Knob and Catch Plate: ABS Plastic.

Technical Notes

Suitable for door/wall thicknesses 15 to 30mm.

When installed the push knob is near flush with surface, raised only 4mm from surface.

Supplied with screws (M3.1 x 10 and M3.1 x 28), and catch plate.

Tips

To operate the push knob:

Step 1: door closed, latch is engaged.

Step 2: depress knob to flush position to lock.

Step 3: depress knob to the out position to unlock latch.

For surfaces between 15 to 25mm thick no counter bore is required. For surfaces from 26 to 35mm thick, 40mm dia. counter bore of depth "H" is required. H = door thickness - 25mm.

Important Notes

Do not activate the latch before closing the door, it may damage the unit.

Other dimensions as per part E100 page 98. See diagram for mounting dimensions.

Order No.	Description	Finish	Holding Force Kg	g
E120.AC010	Push Knob	White	10	52
E120.AC020	Push Knob	Black	10	52

