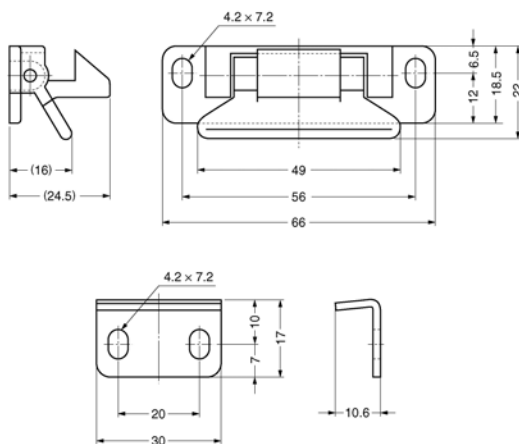


# Lever Catches

finger tip control



## E200



**Material**  
Body: polyamide.  
Counterplate: steel.

**Technical Notes**  
Screws not supplied.

Order No.	Finish	Holding Force Kg	g
E200.AC010	White	20	25
E200.AC020	Brown	20	25

