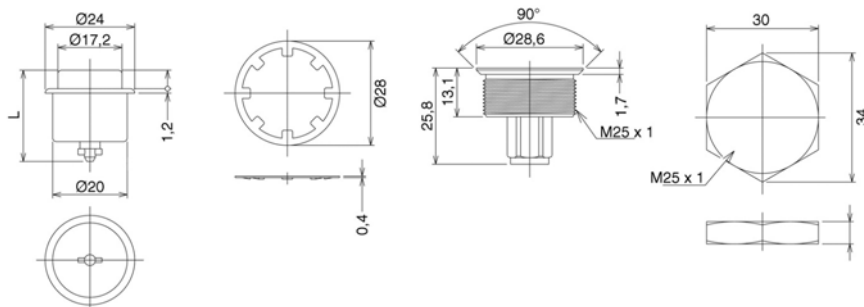


Panel Compression Latches

flush version, large



E215



Fastener

Retaining Ring

Receptacle

Receptacle Fixing Nut



Material

Fastener, Receptacle and Fixing Nut: polyacetal, black.
Retaining Ring: steel.

Technical Notes

Ideal for fixing of panels and enclosure covers a wide variety of applications; lighting, electrical enclosures, access panels etc.

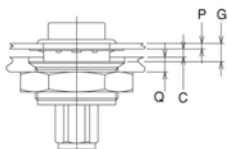
Tips

See also small flush version E216, and small button version E217. For installation guidance see diagrams below.
Other sizes for panels upto 17mm thick available on request, subject to minimum quantity requirements.

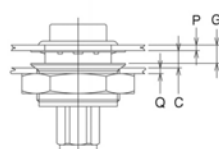
PUSH TO CLOSE LATCHES

Order No.	G Panel Thickness	L	Holding Force Kgf	g
E215.AC013	1,2 to 2,0	20,5	25	15
E215.AC023	2,0 to 2,8	21,3	25	15
E215.AC033	2,8 to 3,6	22,1	25	15

Installation Dimensions:



P (panel thickness) = 0 to 2,2 mm
Q (retaining wall thickness) = 2,2 to 5 mm
 $G = P + C + 0,7$



P (panel thickness) = over 2,3 mm
Q (retaining wall thickness) = 0,6 to 2,7 mm
 $G = P + C - 1,4$

Fastener Installation:

