

# E220



### Material

Body and Catch: ABS Plastic.

### Technical Notes

For overlay door allow 3mm gap between door and cabinet frame for push space.

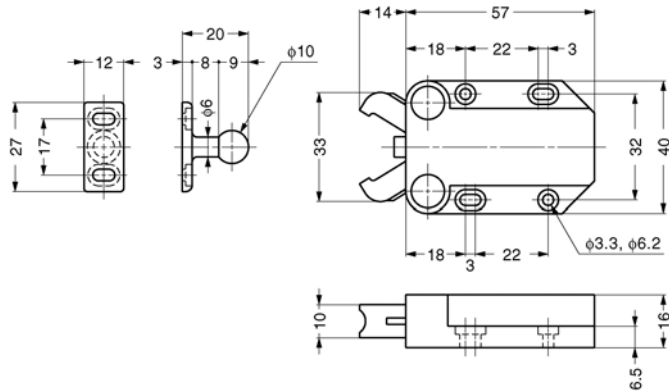
Supplied with screws (3.1 x 13, 3.5 x 10)

### Important Notes

Pulling the door with excessive force without unlatching the unit may damage the mechanism. Constant loading of over 4 Kgf, either pushing or pulling, is not recommended.

## Touch Latches

non-magnetic



Order No.	Finish	Retaining Force Kg	g
E220.AC010	White	4	32
E220.AC020	Black	4	32
E220.AC030	Brown	4	32

# E240



### Material

Body and Catch: ABS plastic.

### Technical Notes

For overlay door allow 3mm gap between door and cabinet frame for push space.

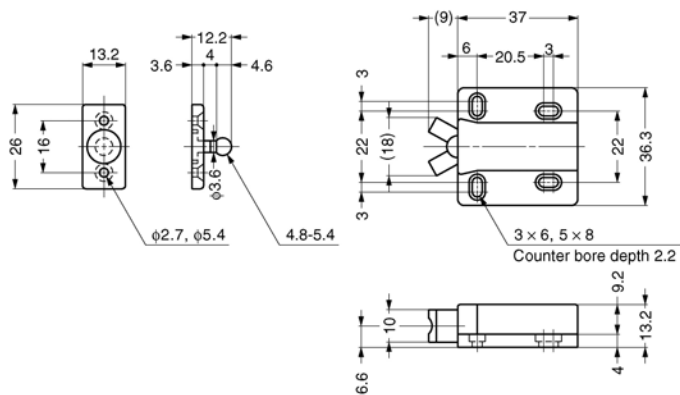
Supplied with screws (2.7 x 13, 2.4 x 10)

### Important Notes

Pulling the door with excessive force without unlatching the unit may damage the mechanism. Constant loading of over 3 Kgf, either pushing or pulling, is not recommended.

## Touch Latches

non-magnetic



Order No.	Finish	Retaining Force Kgf	g
E240.AC020	Black	3	15