

# J046

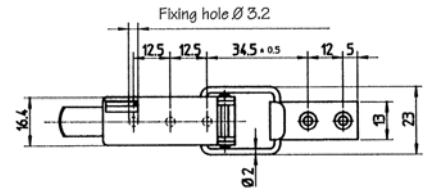
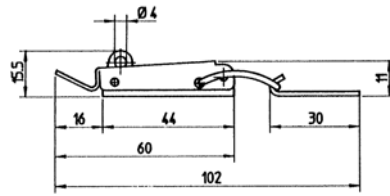


### Technical Notes

Supplied with counter strike.

## Draw Latches

with padlock shackle, **stainless steel**



Order No.	Finish	L	W	H	Max Load N	Max Tension N	g
J046.AC004	Zinc plated steel	102	23	11	550	1500	30
J046.AC030	Stainless steel	102	23	11	550	1500	30

# J048

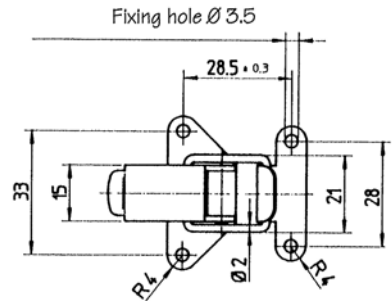
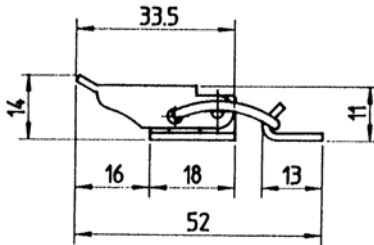


### Technical Notes

Supplied with counter strike.

## Draw Latches

**stainless steel**



Order No.	Finish	L	W	H	Max Load N	Max Tension N	g
J048.AC004	Zinc plated steel	52	21/33	11	550	1500	20
J048.AC030	Stainless steel	52	21/33	11	550	1500	20

# J050

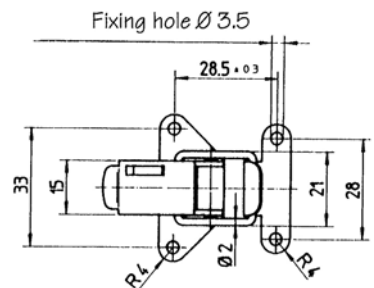
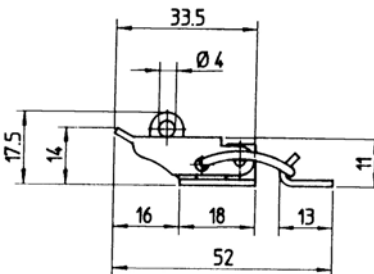


### Technical Notes

Supplied with counter strike.

## Draw Latches

with padlock shackle, **stainless steel**



Order No.	Finish	L	W	H	Max Load N	Max Tension N	g
J050.AC001	Nickel plated steel	52	21/33	11/17	550	1500	20
J050.AC004	Zinc plated steel	52	21/33	11/17	550	1500	20