

N010



Material

Zinc alloy, steel,
bright nickel finish
Supplied with screws (3.5 x 15)

Technical Notes

N010 is designed to securely latch a lid closed.

Torque calculation:

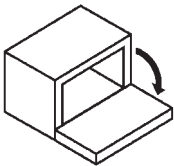
T = Door height x 0.5 x door weight

Approximated load bearing:

Per Piece: 20-70 Kg/cm

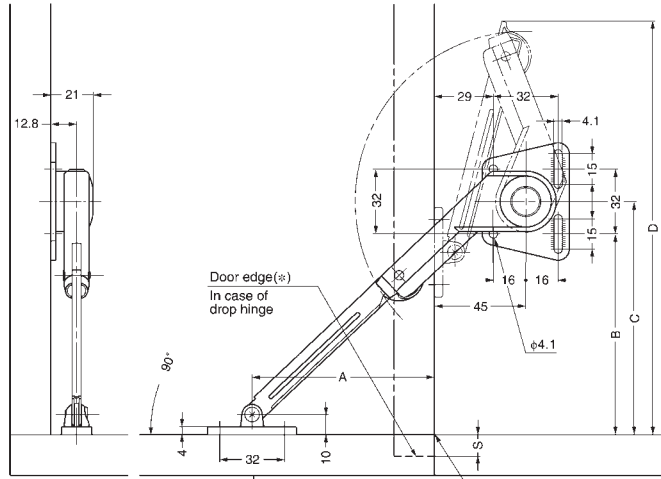
Per Pair: 40-140 Kg/cm

90° Opening



Adjustable Soft-down Stays 90° Opening

downward opening flap with piano, butt or drop hinges



This drawing shows N010.AC010 (left-hand side mounting).
N010.AC110 (right-hand) is symmetrical.

Hinge center(**)
In case of piano or butt hinge

Order No.	Type	g
N010.AC010	Right	210
N010.AC110	Left	210

Installation Table

The distance for A, B, C (as shown in the installation diagram above) is measured from "door edge (*)" and "top surface of bottom board" when drop hinges are used, and from "hinge center (**)" and "to surface of bottom board" when piano or butt hinges are used.
* S dimension is the overlay distance for drop hinges.

Hinge Type	A	B	C	D
Drop Hinge	97	106-S*	122-S*	211-S*
Piano/Butt Hinge	90	99	115	204

