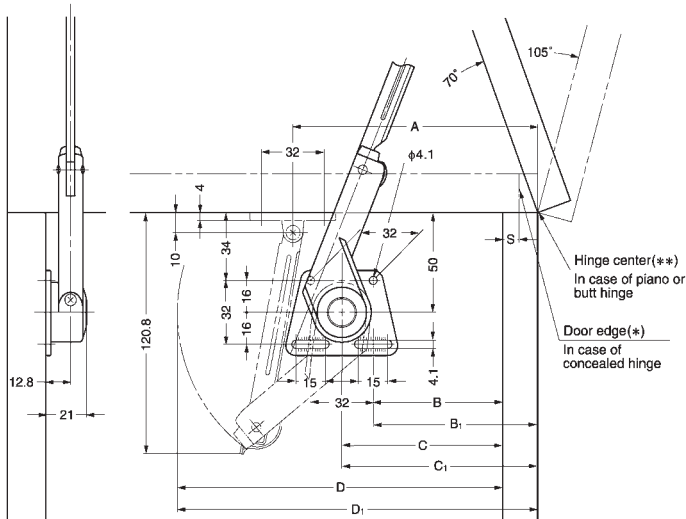


# Adjustable Soft-down Stays 70°-105° Opening

top opening flap with piano, butt or concealed hinges



## N020



This drawing shows N020.AC010 (left-hand side mounting). N020.AC110 (right-hand) is symmetrical.



### Material

Zinc alloy, steel,  
bright nickel finish  
Supplied with screws (3.5 x 15)

### Technical Notes

Oblong holes of the mounting plate allow flap opening angle adjustable from 70°-105°.

N020 is designed to hold a lid in the fully opened position.

### Torque calculation:

T = Door height x 0.5 x door weight

### Approximate load bearing:

Per Piece: 20-70 Kg/cm

Per Pair: 40-140 Kg/cm

Order No.

Type



N020.AC010

Left

210

N020.AC110

Right

210

### Installation Table

The distance for A, B, C (as shown in the installation diagram above) is measured from "door edge (\*)" and "top surface of bottom board" when drop hinges are used, and from "hinge center (\*\*)" and "to surface of bottom board" when piano or butt hinges are used.

Opening Angle	Hinge Type	A	B	C	D	B <sub>1</sub>	C <sub>1</sub>	D <sub>1</sub>
70°	Concealed Hinge	126	85-S*	101-S*	185-S*	-	-	-
	Piano/Butt Hinge	125	-	-	-	84	100	184
105°	Concealed Hinge	103	62-S*	78-S*	162-S*	-	-	-
	Piano/Butt Hinge	97	-	-	-	56	72	156

Note: "S" dimension is the overlay distance for concealed hinge(s).



70°-105° Opening

