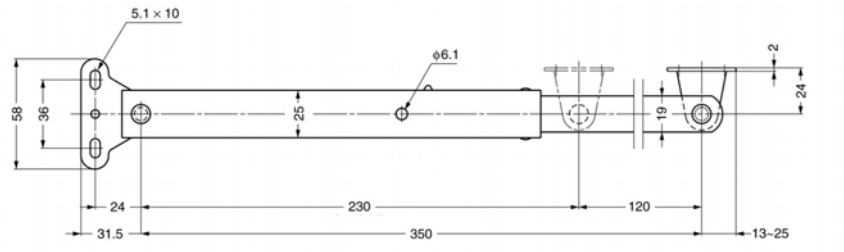
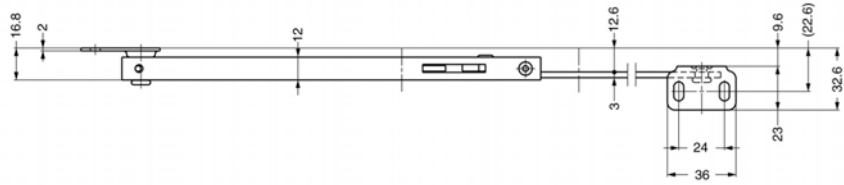


Lid Stays

heavy duty, stainless steel



N055



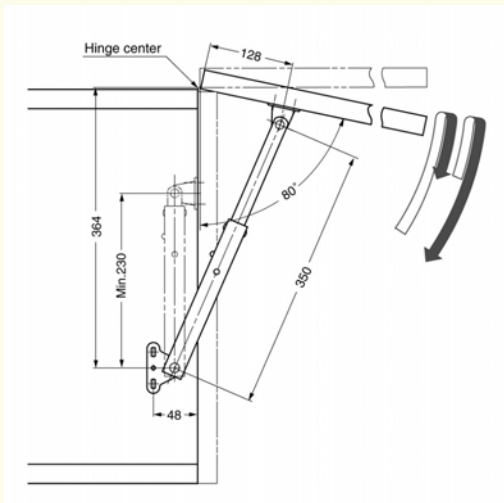
Stroke for stop release



Material
AISI 304 stainless steel, satin finish.

Technical Notes
Universal left or right hand application.
Stay has a positive stop to keep lid open.
Screws not included.

Order No.	Max Opening Angle	Max. Load Kg	Stop Release Stroke R	g
N055.AC010	80°	30	13 - 25	300



STAYS