

N060



Material
AISI 304 stainless steel, satin finish.

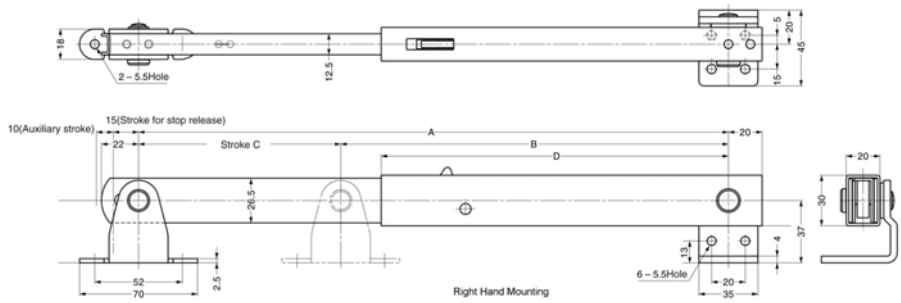
Technical Notes

Left or right hand specific, please refer to table.

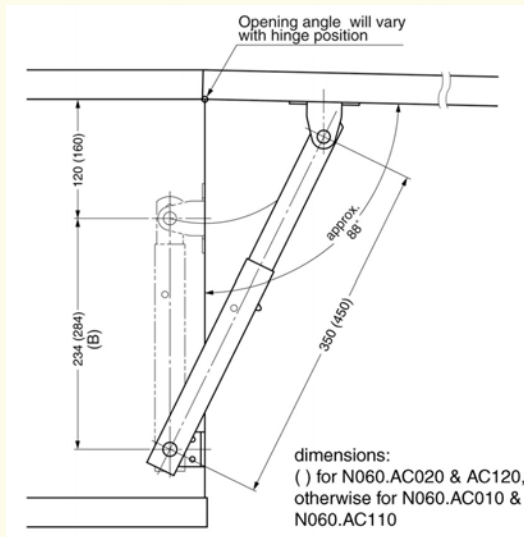
Stay has ratchet mechanism allowing lid to stop when released during opening motion.
Screws not included.

Lid Stays, Multi-Angled

heavy duty, stainless steel



Order No.	Type	Max. Opening Angle	A	B	C	D	Stop Positions	Max. Load Kg	Stop Release Stroke R	g
N060.AC010	Right	88°	350	230	120	206	4	70	15	715
N060.AC020	Right	88°	450	280	170	256	6	70	15	820
N060.AC110	Left	88°	350	230	120	206	4	70	15	715
N060.AC120	Left	88°	450	280	170	256	6	70	15	820



STAYS