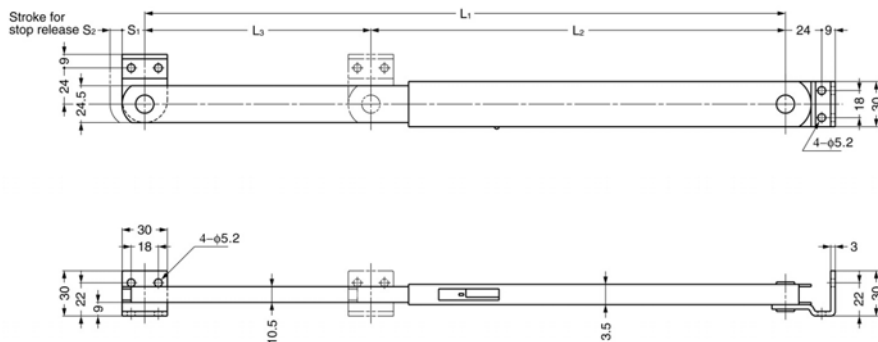
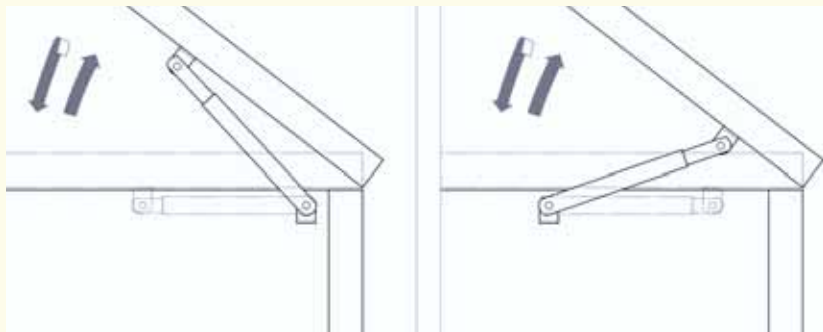


Lid Stays, Multi Stop

above 20°, stainless steel



Order No.	L_1	L_2	L_3	S_1	S_2	Stop Positions	Max Load Kg	g
N065.AC010	245	175	70	15	8	8	50	394
N065.AC020	345	225	120	15	8	15	50	467
N065.AC030	425	275	150	15	8	21	50	541



Material

AISI 304 stainless steel, satin finish.

Technical Notes

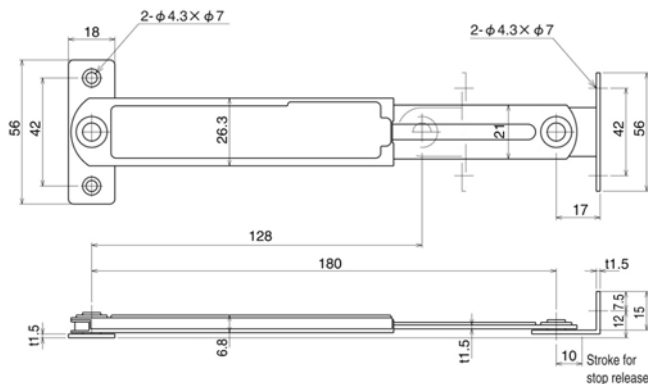
Universal left or right hand application.

Screws not included.

Multi stop angles above 20°.

Lid Stays, Multi Stop

stainless steel



Order No.	Stop Positions	Max. Load Kg	g
N070.AC010	15	7	127



N070



Material

AISI 304 stainless steel, stain finish.

Technical Notes

Universal left or right hand application.

Screws not included.

Ratchet mechanism allows lid to stop when released during the opening motion.