

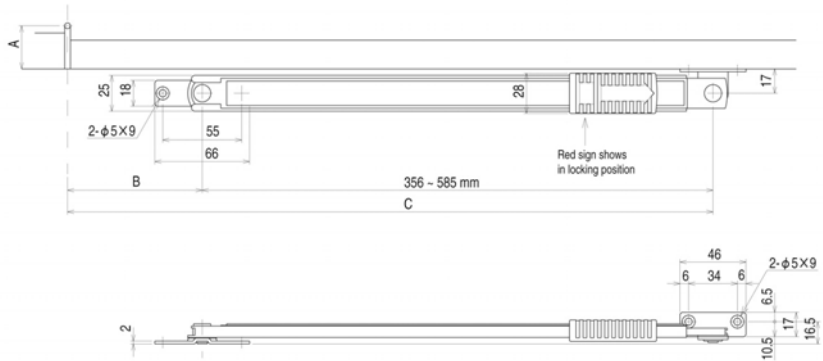
N075



Material
AISI 304 stainless steel, with polyacetal (POM) latch.

Technical Notes
Holds door open at multiple angles.
For outward opening doors only.
Max. door size:
H = 2000 mm
W = 600 - 910 mm
T = 25 - 45 mm
See installation table below.

Door Stays, Multi Stop



Order No.	Max. Door Opening Angle	g
N075.AC010	100°	338

Installation Dimensions N075

Door Thickness	A	B	C
25	30	160	525
30	35	160	520
35	40	160	515
40	45	160	510
45	50	155	505

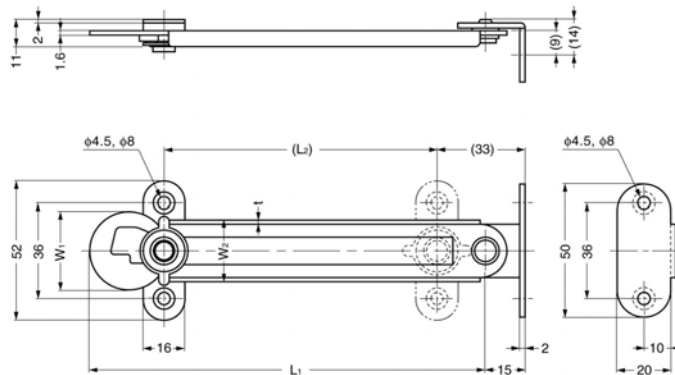
N080



Material
AISI 304 stainless steel, polished finish.

Technical Notes
Left or right hand specific, please refer to table.

Lid Stays



Order No.	Type	L ₁	L ₂	W ₁	W ₂	t	Max. Load Kg	g
N080.AC010	Right	277	230	30	24	2,0	40	120
N080.AC020	Right	198	152	28	23	1,5	40	85
N080.AC030	Right	150	105	28	23	1,5	30	75
N080.AC110	Left	277	230	30	24	2,0	40	120
N080.AC120	Left	198	152	28	23	1,5	40	85
N080.AC130	Left	150	105	28	23	1,5	30	75