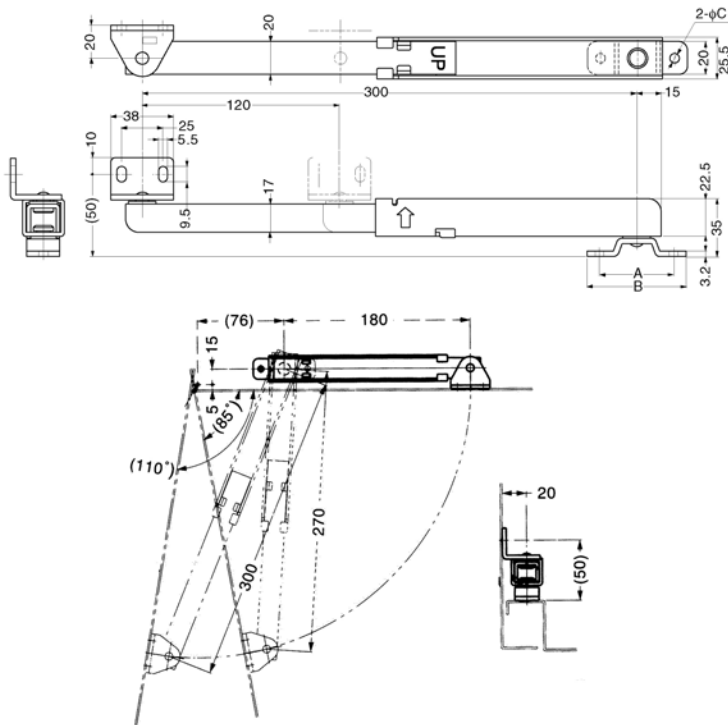


Door Stays with foot release



Wixroyd

N205



Material
Steel, yellow zinc chromate.

Technical Notes
Locks door automatically at open position. Install at base of door for quick foot release.

Important Notes
N205.AC030 has two stop positions at 85° and 110°.

Call for your
FREE
copy of
our latest
catalogue



Order No.	A	B	Ø C	Max Load Kgf
N205.AC010	45	60	5,5	60
N205.AC020	50	72	9,0	60
N205.AC030	45	60	5,5	60

