

N210

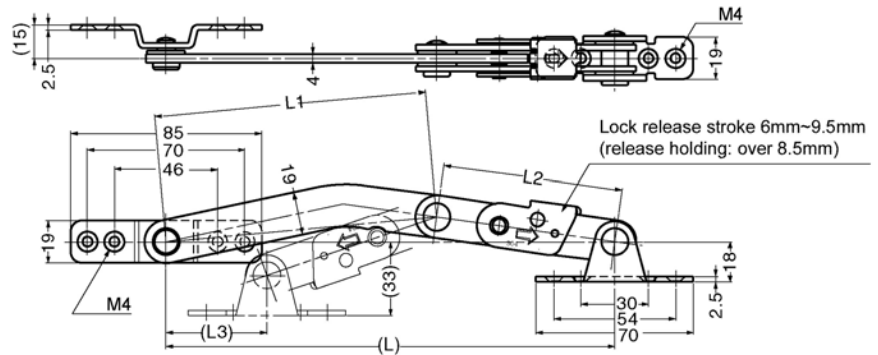


Material
AISI 304 stainless steel, polished.

Technical Notes
Locks door automatically at open position. Single action lock mechanism provides easy release feature.

Door Stays

stainless steel



Order No.	Type	L	L ₁	L ₂	L ₃	A	B	C	D	g
N210.AC010	Right	200	121	80	45	121	200	93	36	290
N210.AC020	Right	280	161	120	44	161	280	145	40	340
N210.AC110	Left	200	121	80	45	121	200	93	36	290
N210.AC120	Left	280	161	120	44	161	280	145	40	340

