

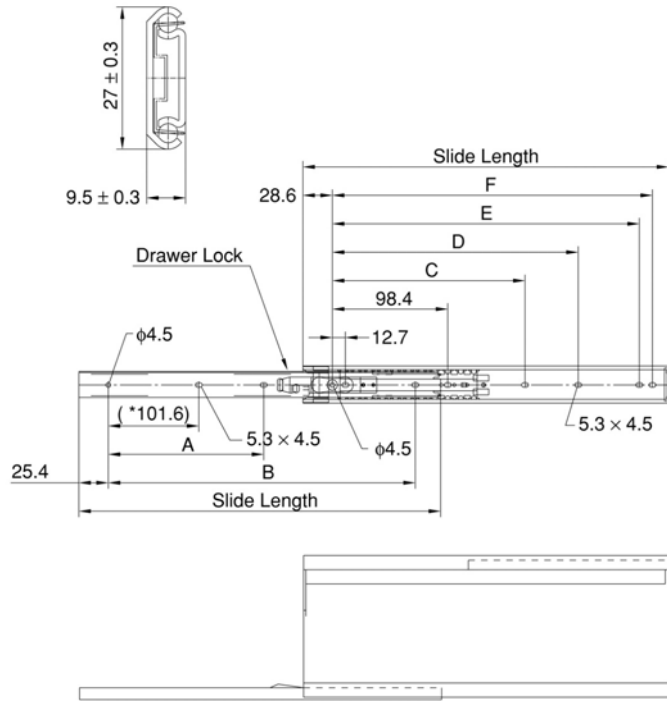


Material
AISI 304 stainless steel.

Technical Notes
Two piece, three quarter extension slide with positive lock and front disconnect. Universal left or right application.

Drawer Slides, Two Piece

three quarter extension, positive lock with front disconnect



Order No.	Slide Length	Travel Length	A	B	C	D	E	F	Load Rating Kg
P050.AC012	203,2	127	-	162,6	-	-	146,0	158,7	27
P050.AC015	254,0	159	-	203,2	-	-	196,8	209,5	26
P050.AC020	304,8	203	-	254,0	-	136,5	247,4	260,3	24
P050.AC025	355,6	254	-	304,8	-	187,3	298,4	311,1	23
P050.AC030	406,4	305	158,8	355,6	-	238,1	349,2	361,9	21
P050.AC033	457,2	330	177,8	406,4	200,0	288,9	400,0	412,7	20
P050.AC038	508,0	381	203,2	457,2	225,4	339,7	450,8	463,5	18

