

# S050



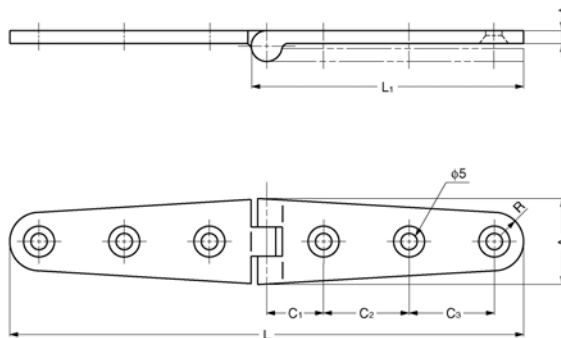
**Material**  
AISI 316 stainless steel, polished finish.

**Technical Notes**

Max. door size-  
450w x 700h x 21 mm thick  
Max. door weight-  
4,0 Kg per hinge pair.

## Hinges

stainless steel



Order No.	L	L <sub>1</sub>	C <sub>1</sub>	C <sub>2</sub>	C <sub>3</sub>	A	R	t	Holes	g
S050.AC010	105	57	17,5	25	-	26,5	9	4	4	75
S050.AC015	158	84	19,5	25	25	26,5	9	4	6	115

# S052



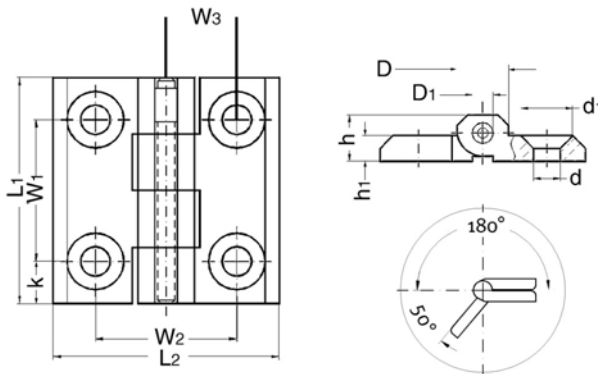
**Material**  
AISI 316 Stainless steel. Finish - bead blasted.

**Technical Notes**

For heavy duty use, with countersunk screws DIN 7991 M5, M6 or M8.  
S052.AC054 is an unequal hinge, one side has W<sub>3</sub> = 15 mm, the other side W<sub>3</sub> = 28 mm.

## Hinges

stainless steel



Order No.	D	d	d <sub>1</sub>	D <sub>1</sub>	L <sub>1</sub>	L <sub>2</sub>	W <sub>1</sub>	W <sub>2</sub>	W <sub>3</sub>	k	h	h <sub>1</sub>	Max. load Nm	g
S052.AC040	10	5,2	10,2 x 90°	4	40	40	25	25	-	7,5	9,0	5	400	61
S052.AC050	12	6,2	12,4 x 90°	6	50	50	30	30	-	10,0	11,5	6	400	95
S052.AC052	12	6,3	12,4 x 90°	6	50	76	30	56	-	10,0	11,5	6	400	146
S052.AC054	12	6,3	12,4 x 90°	6	50	63	30	-	15/28	10,0	11,5	6	400	122
S052.AC060	16	8,3	16,5 x 90°	8	60	60	36	36	-	12,0	15,0	8	400	222