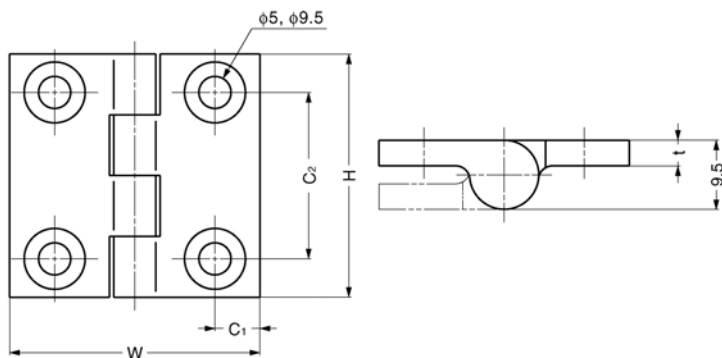
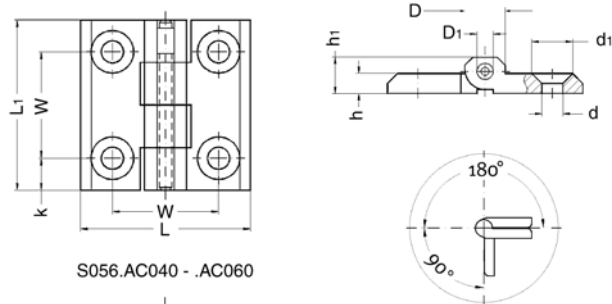


Hinges stainless steel

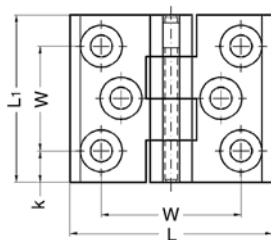


Order No.	H	W	t	C ₁	C ₂	$\frac{\Delta}{g}$
S054.AC038	38	39	4	7,0	26	55
S054.AC050	50	50	4	7,5	34	90

Hinges die-cast zinc



S056.AC040 - .AC060



S056.AC067

Order No.	D	d	d ₁	D ₁	L	L ₁	W	k	h	h ₁	Max. load Nm	$\frac{\Delta}{g}$
S056.AC040	10	5,3	10,2 x 90°	4	40	40	25	7,5	9,0	5	300	45
S056.AC050	12	6,3	12,0 x 90°	6	50	50	30	10,0	11,5	6	300	89
S056.AC056	12	6,3	12,0 x 90°	6	50	63	30	10,0	11,5	6	300	106
S056.AC057	12	6,3	12,0 x 90°	6	50	76	30	10,0	11,5	6	300	123
S056.AC060	16	8,3	12,0 x 90°	8	60	60	36	12,0	15,0	8	300	168
S056.AC067	16	8,3	12,0 x 90°	8	60	76	36	12,0	15,0	8	300	198

Wixroyd

S054



Material
AISI 316 stainless steel, polished finish

Technical Notes
Max. door size-
450w x 700h x 21 mm thick
Max. door weight-
4,0 Kg per hinge pair.

Wixroyd

S056



Material
Die cast zinc plate with zinc plated steel bolt. Black finish

Technical Notes
Can be used as left or right hand.
Designed for regular, heavy duty use.