

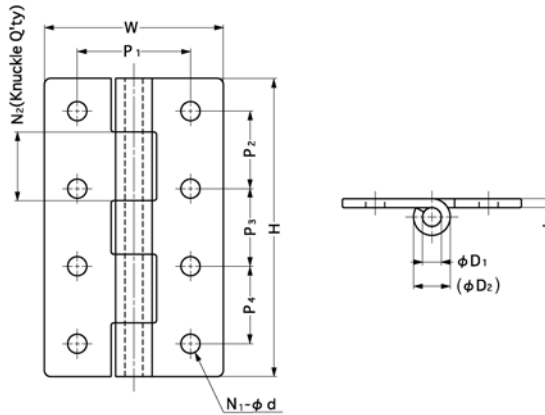
S078



Material
AISI 304 stainless steel, polished finish.

Butt Hinges

stainless steel



| Order No. | H | W | P ₁ | P ₂ | P ₃ | P ₄ | t | d | D1 | (D2) | N ₁ | N ₂ | Load Kg/pair | g |
|------------|-----|----|----------------|----------------|----------------|----------------|-----|-----|----|------|----------------|----------------|--------------|-----|
| S078.AC040 | 40 | 35 | 22 | 26 | - | - | 1,5 | 3,2 | 3 | 6,3 | 4 | 3 | 6 | 25 |
| S078.AC050 | 50 | 35 | 22 | 34 | - | - | 1,5 | 4,3 | 3 | 6,3 | 4 | 3 | 8 | 30 |
| S078.AC065 | 65 | 50 | 30 | 23 | 23 | - | 2,0 | 4,3 | 4 | 8,3 | 6 | 5 | 13 | 64 |
| S078.AC075 | 75 | 50 | 30 | 27 | 27 | - | 2,0 | 5,3 | 4 | 8,3 | 6 | 5 | 15 | 74 |
| S078.AC090 | 90 | 60 | 38 | 35 | 35 | - | 3,0 | 6,4 | 6 | 12,3 | 6 | 5 | 25 | 180 |
| S078.AC100 | 100 | 60 | 38 | 26 | 26 | 26 | 3,0 | 6,4 | 6 | 12,3 | 8 | 5 | 30 | 195 |

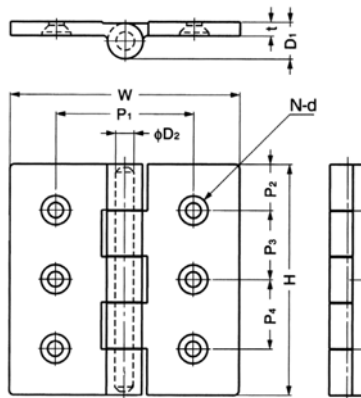
S080



Material
AISI 304 stainless steel, polished finish.

Butt Hinges

stainless steel



| Order No. | H | W | P ₁ | P ₂ | P ₃ | t | D ₁ | D ₂ | N | d | g |
|------------|-----|-----|----------------|----------------|----------------|---|----------------|----------------|---|-----|-----|
| S080.AC050 | 50 | 50 | 35 | 20 | - | 5 | 14 | 6 | 4 | M 4 | 110 |
| S080.AC065 | 65 | 65 | 40 | 35 | - | 5 | 14 | 6 | 4 | M 5 | 190 |
| S080.AC075 | 75 | 75 | 50 | 40 | - | 6 | 16 | 8 | 4 | M 6 | 305 |
| S080.AC100 | 100 | 100 | 60 | 30 | 30 | 6 | 16 | 8 | 6 | M 6 | 500 |