

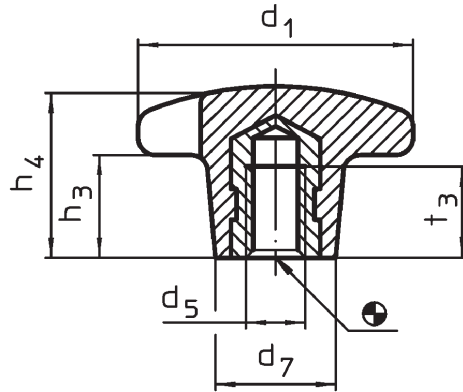
U010



Material
 Grip: Duroplast FS 31 DIN 7708, black.
 Threaded bush: steel, galvanised.
 U010.AC220 - brass insert.
 Temperature range: max 110°C.

Palm Grips

plastic



Order No.	Finish	d ₁	d ₅	d ₇	h ₃	h ₄	t ₃	g
U010.AC220	Threaded bush	20	M 4	10	6	13	6,5	4
U010.AC225	Threaded bush	25	M 5	12	8	16	9,5	6
U010.AC232	Threaded bush	32	M 6	14	10	20	12,0	11
U010.AC240	Threaded bush	40	M 8	18	13	25	14,0	18
U010.AC250	Threaded bush	50	M10	22	20	32	18,0	30
U010.AC263	Threaded bush	63	M12	26	25	40	22,0	60
U010.AC280	Threaded bush	80	M16	35	30	50	30,0	120



Wixroyd Workholding



CLAMPING & HEIGHT SETTING

For our full range of clamping elements please refer to our 1000 Series of products.
 A wide variety of manual, low profile, pneumatic and hydraulic clamping elements, as well as a selection of Aluminium clamps, angles and cubes.



FIXING ELEMENTS

The highest quality fixing elements for on and around the machining table, providing extremely reliable and robust clamping. Please ask for further details.



Wixroyd parts can be easily integrated into fixtures and drawings, please ask for a copy of our CD-Rom containing 3D solid models of Wixroyd parts.

