

U014

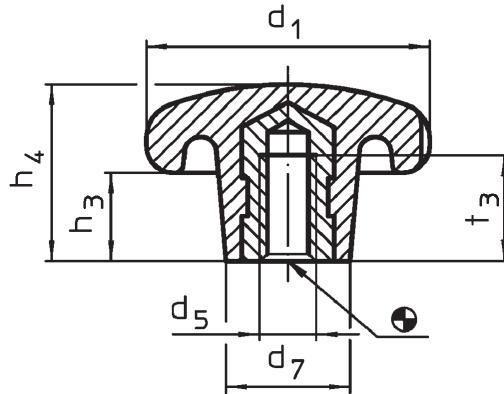


Material
Grip: Duroplast PF 31 DIN 7708, black.
Threaded bush: steel, galvanised.
U014.AC220 - brass insert.

Technical Notes
Temperature range: max 110°C

Star Grips

plastic



Order No.	Finish	d_1	d_5	d_7	h_3	h_4	t_3	g
U014.AC220	Threaded bush	20	M 4	10	7	13	6,5	3
U014.AC225	Threaded bush	25	M 5	12	8	16	9,5	8
U014.AC232	Threaded bush	32	M 6	14	10	20	12,0	12
U014.AC240	Threaded bush	40	M 8	18	13	25	14,0	22
U014.AC250	Threaded bush	50	M10	22	17	32	18,0	40
U014.AC263	Threaded bush	63	M12	26	21	40	22,0	75
U014.AC280	Threaded bush	80	M16	35	25	50	30,0	160

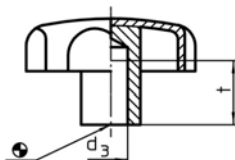
U016



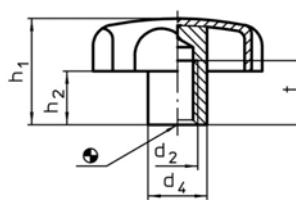
Material
Stainless steel AISI 304, dull, blasted.
Grip: drawn. Hub: butt-welded.

Star Grips

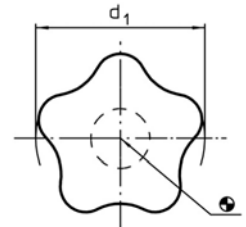
stainless steel



smooth blind hole



threaded blind hole



Order No.	Finish	d_1	d_2	d_3 H_7	d_4	h_1	h_2	g
U016.AC240	Smooth, blind	40	-	8	14	25	12,5	37
U016.AC250	Smooth, blind	50	-	10	18	32	17,5	67
U016.AC260	Smooth, blind	60	-	12	20	40	21,0	104
U016.AC440	Threaded, blind	40	M 8	-	14	25	12,5	37
U016.AC450	Threaded, blind	50	M10	-	18	32	17,5	67
U016.AC460	Threaded, blind	60	M12	-	20	40	21,0	104

CAD MODELS
available
in wide
range of
formats

