

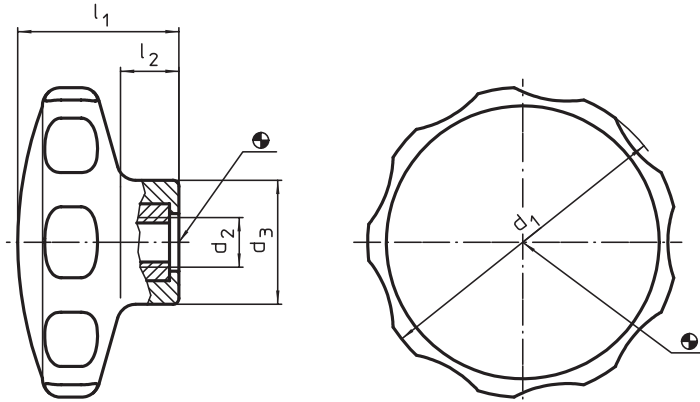
U060



Material
 Grip: Thermoplast (PA 6) Black RAL 9005.
 Cap: Thermoplast (PA 6)
 Black RAL 9005, White RAL 9019,
 Yellow RAL 1016, Orange RAL 2004,
 Blue RAL 5015.
 Threaded bush: stainless steel.

Technical Notes
 Temperature range - 30°C to + 80°C.

Star Grips with stainless steel bush



Order No. Black	Order No. White	Order No. Orange	Order No. Yellow	Order No. Blue	d ₁	d ₂	d ₃	l ₁	l ₂	g
U060.AC030	U060.AC031	U060.AC032	U060.AC033	U060.AC034	30	M 4	14,0	19	7	5,3
U060.AC035	U060.AC036	U060.AC037	U060.AC038	U060.AC039	30	M 5	14,0	19	7	5,7
U060.AC040	U060.AC041	U060.AC042	U060.AC043	U060.AC044	40	M 5	16,5	22	9	8,2
U060.AC045	U060.AC046	U060.AC047	U060.AC048	U060.AC049	40	M 6	16,5	22	9	9,5
U060.AC050	U060.AC051	U060.AC052	U060.AC053	U060.AC054	50	M 6	22,0	26	10	16,0
U060.AC055	U060.AC056	U060.AC057	U060.AC058	U060.AC059	50	M 8	22,0	26	10	18,7
U060.AC060	U060.AC061	U060.AC062	U060.AC063	U060.AC064	62	M 8	22,0	35	13	18,7
U060.AC065	U060.AC066	U060.AC067	U060.AC068	U060.AC069	62	M10	22,0	35	13	39,1

New and Updated Wixroyd 3D ROM



CAD library in 3D and 2D formats:

- 3D: Step (step), Acis (sat), Parasolid v14.0 (x_t), Catia (3d igs), ProEngineer (prt), SolidWorks 2003 (sldprt)
- Integral Menu Systems: SolidWorks 2003, Inventor 5 to Inventor 7, AutoCAD 14/MDT3 to AutoCAD 2002/MDT6.
- 2D: IGES (iges), DXF (dxf), and AutoCAD 14 to 2002

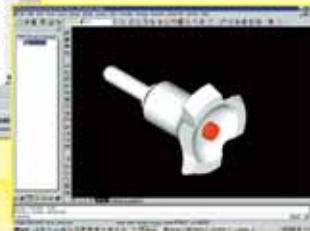


Don't miss out on the chance to make your Design job a whole lot easier, ask for your free copy of our 3D-Rom, you won't need to save the whole thing to your hard-drive wasting valuable disk space, simply pull drawings from the CD as and when you need them.



Easy to select

Simple to integrate



Please ask for a FREE copy of the Wixroyd 3D-Rom, now with solid models!

