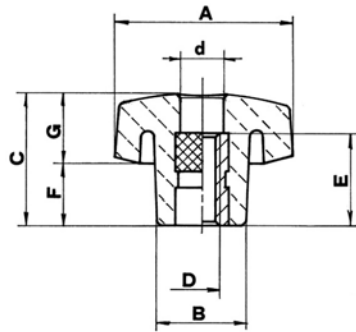


U070

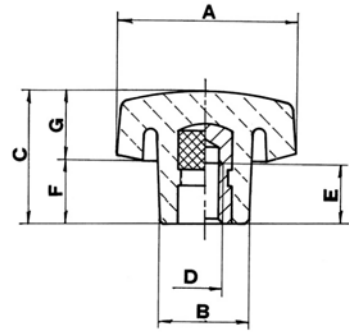


Material
Brass insert. Duroplast, black.

Six Lobed Knobs



Through hole



Threaded bush

Order No.	Type	A	D	B	C	E	F	G	d
U070.AC041	Through hole	40	M 6	21	28	18	13	15	11
U070.AC042	Through hole	40	M 8	21	28	18	13	15	11
U070.AC043	Through hole	40	M10	21	28	18	13	15	11
U070.AC051	Through hole	50	M 8	25	33	18	15	18	13
U070.AC052	Through hole	50	M10	25	33	18	15	18	13
U070.AC053	Through hole	50	M12	25	33	18	15	18	13
U070.AC061	Through hole	60	M10	28	35	25	15	20	11
U070.AC062	Through hole	60	M12	28	35	25	15	20	13
U070.AC063	Through hole	60	M14	28	35	25	15	20	15
U070.AC064	Through hole	60	M16	28	35	25	15	20	17
U070.AC071	Through hole	70	M10	32	42	25	21	21	11
U070.AC072	Through hole	70	M12	32	42	25	21	21	13
U070.AC073	Through hole	70	M14	32	42	25	21	21	15
U070.AC074	Through hole	70	M16	32	42	25	21	21	17
U070.AC406	Threaded bush	40	M 6	21	28	13	13	15	-
U070.AC408	Threaded bush	40	M 8	21	28	15	13	15	-
U070.AC410	Threaded bush	40	M10	21	28	16	13	15	-
U070.AC508	Threaded bush	50	M 8	25	33	15	15	18	-
U070.AC510	Threaded bush	50	M10	25	33	16	15	18	-
U070.AC512	Threaded bush	50	M12	25	33	18	15	18	-
U070.AC608	Threaded bush	60	M 8	28	35	15	15	20	-
U070.AC610	Threaded bush	60	M10	28	35	16	15	20	-
U070.AC612	Threaded bush	60	M12	28	35	18	15	20	-
U070.AC614	Threaded bush	60	M14	28	35	20	15	20	-
U070.AC620	Threaded bush	60	M16	28	35	20	15	20	-
U070.AC710	Threaded bush	70	M10	32	42	16	21	21	-
U070.AC712	Threaded bush	70	M12	32	42	18	21	21	-
U070.AC714	Threaded bush	70	M14	32	42	20	21	21	-
U070.AC716	Threaded bush	70	M16	32	42	20	21	21	-
U070.AC912	Threaded bush	90	M12	42	55	18	26	29	-
U070.AC914	Threaded bush	90	M14	42	55	20	26	29	-
U070.AC916	Threaded bush	90	M16	42	55	20	26	29	-
U070.AC918	Threaded bush	90	M18	42	55	20	26	29	-

HANDLES & PULLS