

Six Lobed Knobs

with grub screw

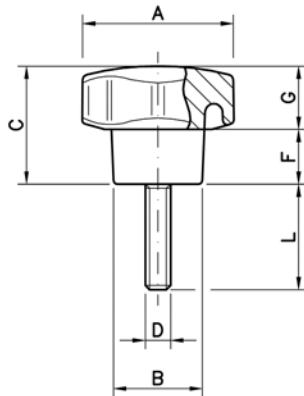


U072



Material

Zinc plated steel stud. Duroplast, black.



Order No.	A	D	L	B	C	F	G
U072.AC040	40	M 6	25	21	28	13	15
U072.AC041	40	M 6	40	21	28	13	15
U072.AC042	40	M 8	20	21	28	13	15
U072.AC043	40	M 8	25	21	28	13	15
U072.AC044	40	M 8	3	21	28	13	15
U072.AC045	40	M 8	40	21	28	13	15
U072.AC046	40	M 8	50	21	28	13	15
U072.AC047	40	M 8	70	21	28	13	15
U072.AC048	40	M10	50	21	28	13	15
U072.AC049	40	M10	70	21	28	13	15
U072.AC050	50	M 8	25	25	33	15	18
U072.AC051	50	M 8	40	25	33	15	18
U072.AC052	50	M 8	60	25	33	15	18
U072.AC053	50	M10	25	25	33	15	18
U072.AC054	50	M10	40	25	33	15	18
U072.AC055	50	M10	50	25	33	15	18
U072.AC056	50	M10	60	25	33	15	18
U072.AC057	50	M12	40	25	33	15	18
U072.AC058	50	M12	60	25	33	15	18
U072.AC060	60	M 8	20	28	35	15	20
U072.AC061	60	M 8	40	28	35	15	20
U072.AC062	60	M 8	60	28	35	15	20
U072.AC063	60	M10	20	28	35	15	20
U072.AC064	60	M10	40	28	35	15	20
U072.AC065	60	M10	60	28	35	15	20
U072.AC066	60	M12	30	28	35	15	20
U072.AC067	60	M12	50	28	35	15	20
U072.AC068	60	M12	60	28	35	15	20
U072.AC069	60	M12	80	28	35	15	20
U072.AC070	70	M10	30	32	42	21	21
U072.AC071	70	M10	40	32	42	21	21
U072.AC072	70	M12	30	32	42	21	21
U072.AC073	70	M12	40	32	42	21	21
U072.AC074	70	M12	50	32	42	21	21
U072.AC075	70	M12	70	32	42	21	21
U072.AC076	70	M14	40	32	42	21	21
U072.AC077	70	M14	50	32	42	21	21
U072.AC090	90	M12	60	42	55	26	29
U072.AC091	90	M12	70	42	55	26	29
U072.AC092	90	M14	60	42	55	26	29
U072.AC093	90	M14	70	42	55	26	29
U072.AC094	90	M16	60	42	55	26	29
U072.AC095	90	M16	90	42	55	26	29

HANDLES & PULLS