

Eight Lobed Knobs

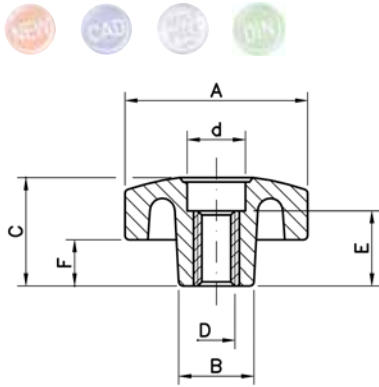


U080

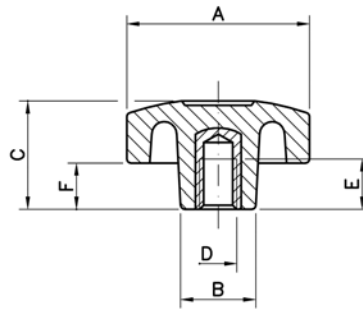


Material

Brass insert. Thermoplastic, matt black.



Through hole



Threaded bush

Order No.	Type	A	D	B	C	d	E	F
U080.AC021	Through hole	25	M 4	13	17	7	11	8
U080.AC022	Through hole	25	M 5	13	17	7	11	8
U080.AC023	Through hole	25	M 6	13	17	7	11	8
U080.AC031	Through hole	35	M 6	18	20	11	15	8
U080.AC032	Through hole	35	M 8	18	20	11	15	8
U080.AC033	Through hole	35	M10	18	20	11	15	8
U080.AC041	Through hole	45	M 5	22	26	11	18	12
U080.AC042	Through hole	45	M 6	22	26	11	18	12
U080.AC043	Through hole	45	M 8	22	26	11	18	12
U080.AC044	Through hole	45	M10	22	26	11	18	12
U080.AC051	Through hole	55	M 8	25	29	13	18	15
U080.AC052	Through hole	55	M10	25	29	13	18	15
U080.AC053	Through hole	55	M12	25	29	13	18	15
U080.AC254	Threaded bush	25	M 4	13	17	-	9	8
U080.AC255	Threaded bush	25	M 5	13	17	-	9	8
U080.AC256	Threaded bush	25	M 6	13	17	-	9	8
U080.AC356	Threaded bush	35	M 6	18	20	-	13	8
U080.AC358	Threaded bush	35	M 8	18	20	-	13	8
U080.AC359	Threaded bush	35	M10	18	20	-	13	8
U080.AC455	Threaded bush	45	M 5	22	26	-	13	12
U080.AC456	Threaded bush	45	M 6	22	26	-	13	12
U080.AC458	Threaded bush	45	M 8	22	26	-	13	12
U080.AC459	Threaded bush	45	M10	22	26	-	13	12
U080.AC558	Threaded bush	55	M 8	25	29	-	15	15
U080.AC559	Threaded bush	55	M10	25	29	-	16	15
U080.AC562	Threaded bush	55	M12	25	29	-	18	15