

U210



Material

Handle: die-cast zinc,
 Orange RAL 2004
 Black RAL 9005
 Inner parts: stainless steel 1,4305
 (AISI 303).

Technical Notes

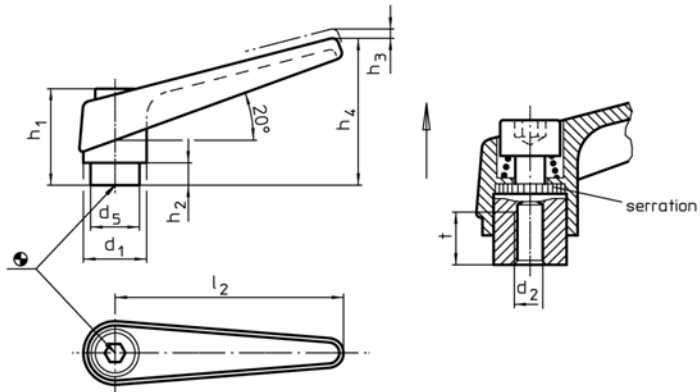
By lifting the lever, the serrations are disengaged. The handle can be positioned by the serrations, and the threaded insert can be exchanged. Upon releasing the handle, the serrations are automatically re-engaged.

Tips

Suitable for medical and chemical industry applications.

Adjustable Clamping Levers

female, inner parts **stainless steel**



Order No.	Colour	d ₁	d ₂	d ₅	h ₁	h ₂	h ₃	h ₄	l ₂	t ≡	g
U210.AC111	Orange	14	M 5	10,0	24,5	4,0	3,0	35	45	8	33
U210.AC121	Orange	14	M 6	10,0	24,5	4,0	3,0	35	45	8	33
U210.AC321	Orange	18	M 8	13,5	31,0	6,5	3,0	45	62	10	67
U210.AC411	Orange	22	M 8	16,0	36,0	8,0	3,5	52	74	14	112
U210.AC421	Orange	22	M10	16,0	36,0	8,0	3,5	52	74	14	109
U210.AC511	Orange	25	M10	19,0	43,0	11,0	4,0	63	89	17	175
U210.AC521	Orange	25	M12	19,0	43,0	11,0	4,0	63	89	17	171
U210.AC611	Orange	30	M12	23,0	50,5	12,0	5,0	76	108	22	286
U210.AC621	Orange	30	M16	23,0	50,5	12,0	5,0	76	108	22	269
U210.AC114	Black	14	M 5	10,0	24,5	4,0	3,0	35	45	8	33
U210.AC124	Black	14	M 6	10,0	24,5	4,0	3,0	35	45	8	33
U210.AC324	Black	18	M 8	13,5	31,0	6,5	3,0	45	62	10	67
U210.AC414	Black	22	M 8	16,0	36,0	8,0	3,5	52	74	14	112
U210.AC424	Black	22	M10	16,0	36,0	8,0	3,5	52	74	14	109
U210.AC514	Black	25	M10	19,0	43,0	11,0	4,0	63	89	17	175
U210.AC524	Black	25	M12	19,0	43,0	11,0	4,0	63	89	17	171
U210.AC614	Black	30	M12	23,0	50,5	12,0	5,0	76	108	22	286
U210.AC624	Black	30	M16	23,0	50,5	12,0	5,0	76	108	22	269