

# Adjustable Clamping Levers

male, inner parts stainless steel



## U212

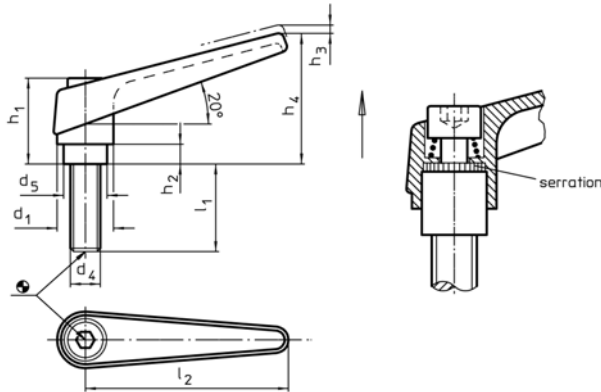


### Material

Handle: die-cast zinc,  
Orange RAL 2004  
Black RAL 9005.  
Inner parts: stainless steel 1.4305  
(AISI 303).

### Technical Notes

By lifting the lever, the serrations are disengaged. The handle can be positioned by the serrations, and the threaded insert can be exchanged. Upon releasing the handle, the serrations are automatically re-engaged.



Order No. Orange	Order No. Black	d <sub>1</sub>	d <sub>4</sub>	l <sub>1</sub>	d <sub>5</sub>	h <sub>1</sub>	h <sub>2</sub>	h <sub>3</sub>	h <sub>4</sub>	l <sub>2</sub>	g
U212.AC041	U212.AC044	14	M 5	12	10,0	24,5	4,0	3,0	35	45	36
U212.AC051	U212.AC054	14	M 5	16	10,0	24,5	4,0	3,0	35	45	36
U212.AC061	U212.AC064	14	M 5	20	10,0	24,5	4,0	3,0	35	45	37
U212.AC071	U212.AC074	14	M 5	25	10,0	24,5	4,0	3,0	35	45	37
U212.AC081	U212.AC084	14	M 5	32	10,0	24,5	4,0	3,0	35	45	38
U212.AC086	U212.AC089	14	M 5	40	10,0	24,5	4,0	3,0	35	45	39
U212.AC131	U212.AC134	14	M 6	12	10,0	24,5	4,0	3,0	35	45	37
U212.AC141	U212.AC144	14	M 6	16	10,0	24,5	4,0	3,0	35	45	37
U212.AC151	U212.AC154	14	M 6	20	10,0	24,5	4,0	3,0	35	45	38
U212.AC161	U212.AC164	14	M 6	25	10,0	24,5	4,0	3,0	35	45	39
U212.AC171	U212.AC174	14	M 6	32	10,0	24,5	4,0	3,0	35	45	40
U212.AC181	U212.AC184	14	M 6	40	10,0	24,5	4,0	3,0	35	45	41
U212.AC191	U212.AC194	14	M 6	50	10,0	24,5	4,0	3,0	35	45	43
U212.AC331	U212.AC334	18	M 8	16	13,5	31,0	6,5	3,0	45	62	74
U212.AC341	U212.AC344	18	M 8	20	13,5	31,0	6,5	3,0	45	62	76
U212.AC351	U212.AC354	18	M 8	25	13,5	31,0	6,5	3,0	45	62	77
U212.AC361	U212.AC364	18	M 8	32	13,5	31,0	6,5	3,0	45	62	79
U212.AC371	U212.AC374	18	M 8	40	13,5	31,0	6,5	3,0	45	62	81
U212.AC381	U212.AC384	18	M 8	50	13,5	31,0	6,5	3,0	45	62	84
U212.AC391	U212.AC394	18	M 8	63	13,5	31,0	6,5	3,0	45	62	89
U212.AC441	U212.AC444	22	M10	20	16,0	36,0	8,0	3,5	52	74	128
U212.AC451	U212.AC454	22	M10	25	16,0	36,0	8,0	3,5	52	74	130
U212.AC461	U212.AC464	22	M10	32	16,0	36,0	8,0	3,5	52	74	134
U212.AC471	U212.AC474	22	M10	40	16,0	36,0	8,0	3,5	52	74	138
U212.AC481	U212.AC484	22	M10	50	16,0	36,0	8,0	3,5	52	74	143
U212.AC486	U212.AC489	22	M10	63	16,0	36,0	8,0	3,5	52	74	148
U212.AC491	U212.AC494	22	M10	80	16,0	36,0	8,0	3,5	52	74	157
U212.AC541	U212.AC544	25	M12	25	19,0	43,0	11,0	4,0	63	89	205
U212.AC551	U212.AC554	25	M12	32	19,0	43,0	11,0	4,0	63	89	209
U212.AC561	U212.AC564	25	M12	40	19,0	43,0	11,0	4,0	63	89	215
U212.AC571	U212.AC574	25	M12	50	19,0	43,0	11,0	4,0	63	89	222
U212.AC581	U212.AC584	25	M12	63	19,0	43,0	11,0	4,0	63	89	232
U212.AC591	U212.AC594	25	M12	80	19,0	43,0	11,0	4,0	63	89	244
U212.AC641	U212.AC644	30	M16	32	23,0	50,5	12,0	5,0	76	108	348
U212.AC651	U212.AC654	30	M16	40	23,0	50,5	12,0	5,0	76	108	357
U212.AC661	U212.AC664	30	M16	50	23,0	50,5	12,0	5,0	76	108	370
U212.AC671	U212.AC674	30	M16	63	23,0	50,5	12,0	5,0	76	108	386
U212.AC681	U212.AC684	30	M16	80	23,0	50,5	12,0	5,0	76	108	407