

Adjustable Clamping Levers

male

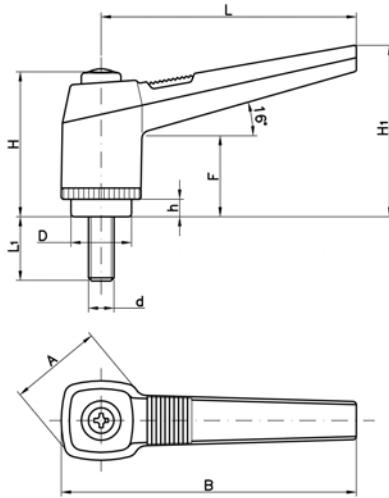
Wixroyd

U222



Material

Black, thermoplastic, glass fibre reinforced. Zinc plated steel stud.



Order No.	L	d	L ₁	H	A	B	H ₁	F	D	h
U222.AC541	42	M 4	20	29	19	50	32	17	12	3
U222.AC542	42	M 5	20	29	19	50	32	17	12	3
U222.AC543	42	M 5	30	29	19	50	32	17	12	3
U222.AC544	42	M 6	20	29	19	50	32	17	12	3
U222.AC545	42	M 6	30	29	19	50	32	17	12	3
U222.AC560	63	M 6	20	39	25	73	43	21	15	4
U222.AC561	63	M 6	20	39	25	73	43	21	15	4
U222.AC562	63	M 6	25	39	25	73	43	21	15	4
U222.AC563	63	M 6	40	39	25	73	43	21	15	4
U222.AC564	63	M 8	20	39	25	73	43	21	15	4
U222.AC565	63	M 8	25	39	25	73	43	21	15	4
U222.AC566	63	M 8	30	39	25	73	43	21	15	4
U222.AC567	63	M 8	40	39	25	73	43	21	15	4
U222.AC568	63	M 8	50	39	25	73	43	21	15	4
U222.AC580	80	M 8	20	48	30	92	54	27	19	6
U222.AC581	80	M 8	30	48	30	92	54	27	19	6
U222.AC582	80	M 8	40	48	30	92	54	27	19	6
U222.AC583	80	M 8	50	48	30	92	54	27	19	6
U222.AC584	80	M10	25	48	30	92	54	27	19	6
U222.AC585	80	M10	40	48	30	92	54	27	19	6
U222.AC586	80	M10	50	48	30	92	54	27	19	6
U222.AC587	80	M10	60	48	30	92	54	27	19	6
U222.AC588	80	M12	30	48	30	92	54	27	19	6
U222.AC589	80	M12	60	48	30	92	54	27	19	6
U222.AC600	100	M12	40	58	36	115	66	30	25	8
U222.AC601	100	M12	50	58	36	115	66	30	25	8
U222.AC602	100	M12	70	58	36	115	66	30	25	8
U222.AC603	100	M14	40	58	36	115	66	30	25	8
U222.AC604	100	M14	50	58	36	115	66	30	25	8
U222.AC605	100	M14	70	58	36	115	66	30	25	8
U222.AC606	100	M16	40	58	36	115	66	30	25	8
U222.AC607	100	M16	50	58	36	115	66	30	25	8
U222.AC608	100	M16	70	58	36	115	66	30	25	8

HANDLES & PULLS