

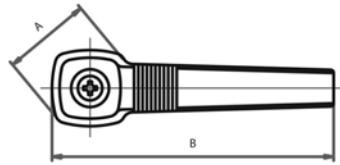
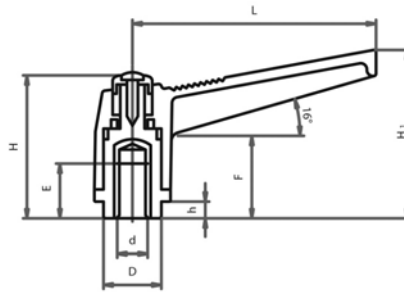
# U230



**Material**  
Black, matt thermoplastic,  
reinforced.  
Stainless steel insert.

## Adjustable Clamping Levers

female, stainless steel



Order No.	L	d	H	A	B	H <sub>1</sub>	F	D	h	E
U230.AC423	42	M 6	29	19	50	32	17	12	3	9
U230.AC633	63	M 8	39	25	73	43	21	15	4	13
U230.AC802	80	M10	48	30	92	54	27	19	6	16

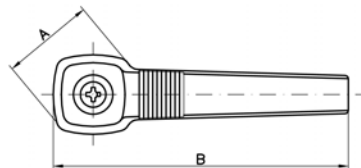
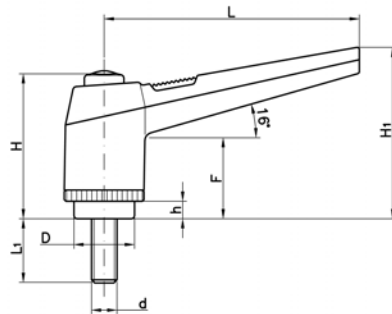
# U232



**Material**  
Black, matt thermoplastic with  
stainless steel thread AISI 303  
(1.4305).

## Adjustable Clamping Levers

stainless steel thread



Order No.	L	d	L <sub>1</sub>	H	A	B	H <sub>1</sub>	F	D	h
U232.AC420	42	M 6	20	29	19	50	32	17	12	3
U232.AC430	42	M 6	30	29	19	50	32	17	12	3
U232.AC620	63	M 8	20	39	25	73	43	21	15	4
U232.AC625	63	M 8	25	39	25	73	43	21	15	4
U232.AC630	63	M 8	30	39	25	73	43	21	15	4
U232.AC825	80	M10	25	48	30	92	54	27	19	6
U232.AC830	80	M10	30	48	30	92	54	27	19	6