

## Pull Handles

aluminium



# U300



**Material**  
Aluminium:  
plastic coated, black RAL 901  
Natural silver, matt anodised.

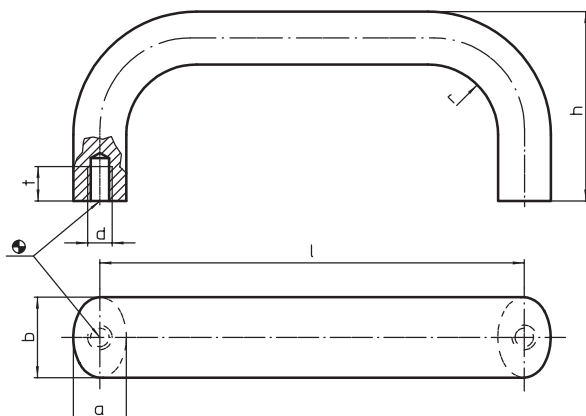


# U302



**Material**  
Oval aluminium, Al Mg Si 0,5.  
Finish: Anodized with matt finish in  
natural colour or black.

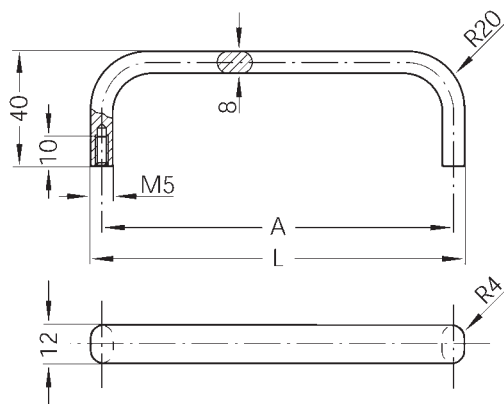
**Technical Notes**  
Minimum stress resistance 500N.



Order No. Black	Order No. Natural	b	l	a	d	h	r	t	$\frac{g}{g}$
U300.AC010	U300.AC210	20	100	13	M 6	47	13	10	87
U300.AC011	U300.AC211	20	112	13	M 6	49	13	10	97
U300.AC012	U300.AC212	20	128	13	M 6	51	13	10	107
U300.AC016	U300.AC216	20	160	13	M 6	51	13	10	127
U300.AC111	U300.AC311	26	112	17	M 8	53	17	12	160
U300.AC112	U300.AC312	26	128	17	M 8	55	17	12	183
U300.AC116	U300.AC316	26	160	17	M 8	57	17	12	211
U300.AC119	U300.AC319	26	192	17	M 8	57	17	12	245
U300.AC130	U300.AC330	26	300	17	M 8	57	17	12	350
U300.AC140	U300.AC340	26	400	17	M 8	57	17	12	445

## Pull Handles - Oval

aluminium



Order No. Natural	Order No. Black	A	L
U302.AC055-1	U302.AC055-4	55	63
U302.AC088-1	U302.AC088-4	88	96
U302.AC100-1	U302.AC100-4	100	108
U302.AC120-1	U302.AC120-4	120	128
U302.AC180-1	U302.AC180-4	180	188
U302.AC200-1	U302.AC200-4	200	208
U302.AC235-1	U302.AC235-4	235	243
U302.AC250-1	U302.AC055-4	55	63