

U308

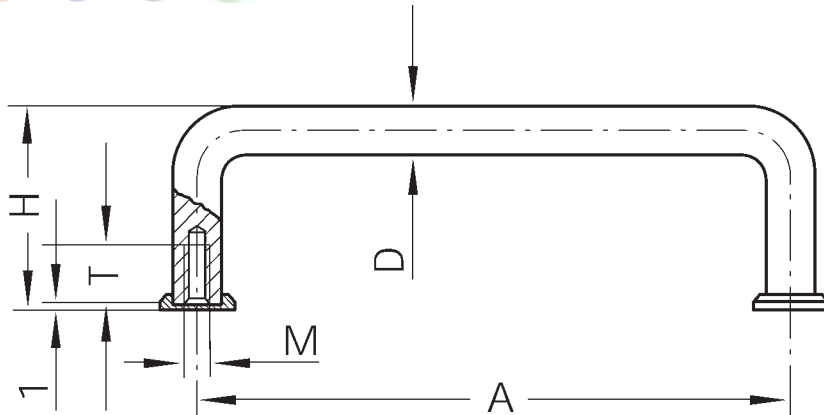


Material

Round steel bar.
Finish: Precision ground and high gloss chromium plated surface.
Chromium coloured brass cover washers included.

Technical Notes

Minimum stress resistance 1000N.



Order No.	A	D Ø	H	M	T
U308.AC003	32	5	21	M 3	6
U308.AC004	42	5	25	M 3	6
U308.AC005	55	5	25	M 3	6
U308.AC007	76	5	25	M 3	6
U308.AC008	88	5	25	M 3	6
U308.AC103	32	8	33	M 4	8
U308.AC105	55	8	33	M 4	8
U308.AC106	64	8	33	M 4	8
U308.AC108	88	8	33	M 4	8
U308.AC109	96	8	33	M 4	8
U308.AC110	102	8	33	M 4	8
U308.AC112	120	8	33	M 4	8
U308.AC113	128	8	33	M 4	8
U308.AC114	136	8	33	M 4	8
U308.AC505	55	10	41	M 5	10
U308.AC508	88	10	41	M 5	10
U308.AC509	100	10	41	M 5	10
U308.AC510	102	10	41	M 5	10
U308.AC511	115	10	41	M 5	10
U308.AC512	120	10	41	M 5	10
U308.AC514	136	10	41	M 5	10
U308.AC518	180	10	41	M 5	10
U308.AC520	200	10	41	M 5	10
U308.AC523	235	10	41	M 5	10
U308.AC525	250	10	41	M 5	10

