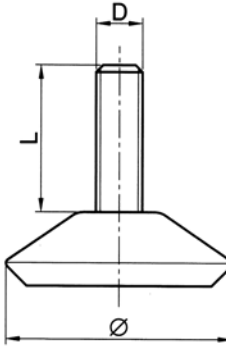


W010



Material
Thread: steel, zinc plated.
Pad: Thermoplastic, black.

Fixed Feet non-tilt



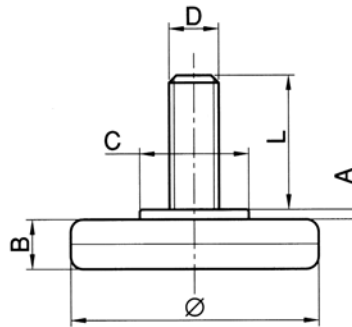
Order No.	D	Ø	L
W010.AC031	M 8	30	22
W010.AC032	M 8	30	32
W010.AC041	M 8	40	22
W010.AC042	M 8	40	32
W010.AC045	M10	40	22
W010.AC046	M10	40	32
W010.AC055	M10	50	22
W010.AC056	M10	50	32
W010.AC065	M10	60	22
W010.AC066	M10	60	32

W012



Material
Thread: steel, zinc plated.
Pad: Thermoplastic, black.

Fixed Feet non-tilt



Order No.	D	Ø	L	C	B	A
W012.AC021	M 8	25	22	18	8	2
W012.AC022	M 8	25	32	18	8	2
W012.AC031	M 8	30	22	18	8	2
W012.AC041	M 8	40	22	20	9	2
W012.AC042	M 8	40	32	20	9	2
W012.AC045	M10	40	22	20	9	2
W012.AC046	M10	40	32	20	9	2
W012.AC055	M10	50	22	22	10	2
W012.AC056	M10	50	32	22	10	2
W012.AC065	M10	60	22	22	10	2
W012.AC066	M10	60	32	22	10	2
W012.AC085	M10	80	22	26	10	2
W012.AC086	M10	80	32	26	10	2