

W018

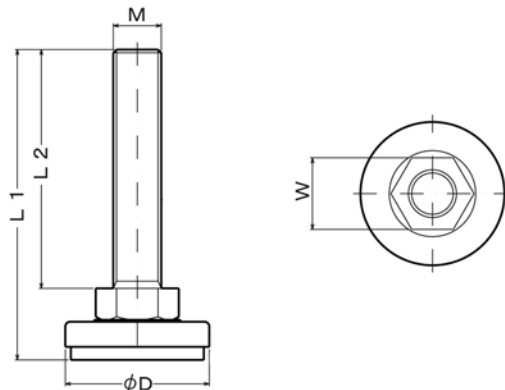


Material
Bolt and Pad Cover: steel.
Pad: Type One - Neoprene rubber, black. Type Two - EPDM rubber, white.

Technical Notes
Rubber base provides a non-marking, anti-slip shock absorbing surface.

Fixed Feet

bolt steel, anti-slip rubber base



Order No. Neoprene Base	Order No. EPDM Base	M	L1	L2	W	D	Max. load capacity for static load Kg.
W018.AC082	W018.AC582	M 8 x 1,25	78,5	60	13	40	120
W018.AC102	W018.AC602	M10 x 1,50	70,0	50	17	40	200
W018.AC122	W018.AC622	M12 x 1,75	94,0	70	19	50	300
W018.AC162	W018.AC662	M16 x 2,00	97,0	70	24	60	560
W018.AC202	W018.AC702	M20 x 2,50	130,0	100	30	60	880
W018.AC203	W018.AC703	M20 x 2,50	160,0	130	30	60	880

W020

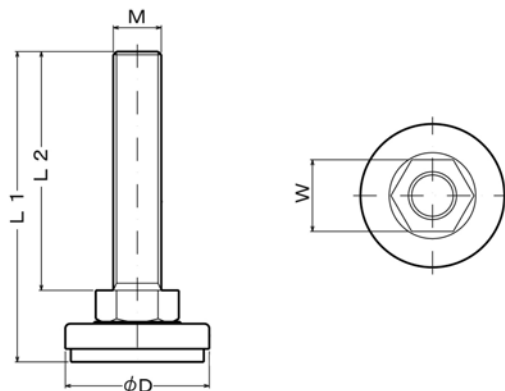


Material
Bolt and Pad Cover: AISI 304
stainless steel.
Pad: Neoprene rubber, black.

Technical Notes
Rubber base provides a non-marking, anti-slip shock absorbing surface.

Fixed Feet

bolt stainless steel, anti-slip rubber pad



Order No.	M	L1	L2	W	D	Max. load capacity for static load Kg.
W020.AC082	M 8 x 1,25	78,5	60	13	40	120
W020.AC102	M10 x 1,50	70,0	50	17	40	200
W020.AC122	M12 x 1,75	94,0	70	19	50	300
W020.AC162	M16 x 2,00	97,0	70	24	60	560
W020.AC202	M20 x 2,50	130,0	100	30	60	880
W020.AC204	M20 x 2,50	160,0	130	30	60	880