

## Levelling Feet pad and bolt stainless steel



# W304



**Material**  
Pad & Bolt: AISI 304 stainless steel, satin finish.

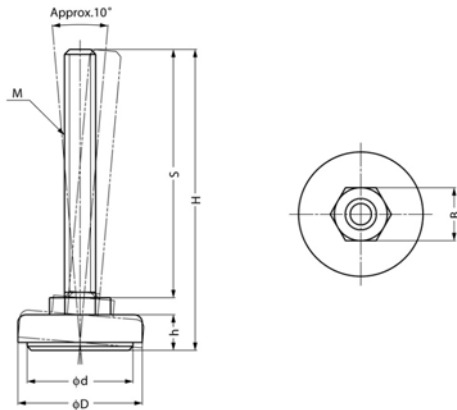


# W306



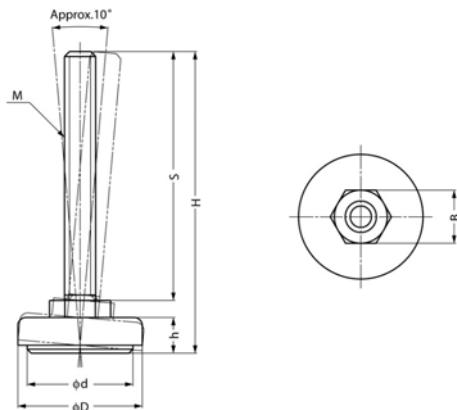
**Material**  
Pad Cover & Bolt: AISI 304 stainless steel, satin finish.  
Black elastomer inset.

LEVELLING FEET



Order No.	M	D	d	H	h	S	B	Max. load capacity for static load Kg.	g
W304.AC122	M12 x 1,75	60	54	51,5	11,5	35,0	-	400	140
W304.AC124	M12 x 1,75	40	34	97,0	11,5	80,0	17	300	125
W304.AC126	M12 x 1,75	50	44	97,0	11,5	80,0	17	340	150
W304.AC162	M16 x 2,00	50	44	100,0	11,5	78,5	24	320	220

## Levelling Feet pad and bolt stainless steel, rubber pad



Order No.	M	D	d	H	h	S	B	Max. load capacity for static load Kg.	g
W306.AC122	M12 x 1,75	60	54	51,5	11,5	35,0	-	100	150
W306.AC142	M14 x 2,00	70	64	51,5	11,5	35,0	-	100	200
W306.AC124	M12 x 1,75	40	34	97,0	11,5	80,0	17	80	120
W306.AC126	M12 x 1,75	50	44	97,0	11,5	80,0	17	100	140
W306.AC162	M16 X 2,00	50	44	100,0	11,5	78,5	24	80	215