

# Levelling Feet - Bolt Down

pad and bolt steel



## W405

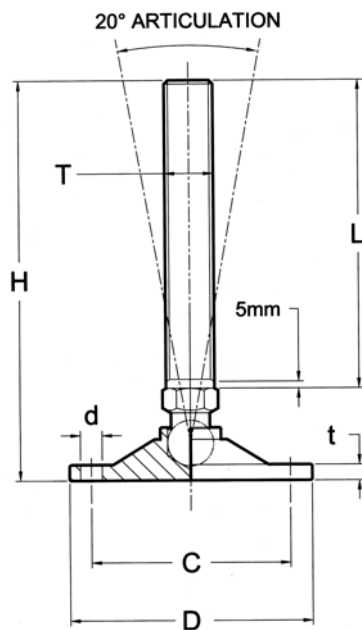


### Material

Pad and Bolt: mild steel, Nickel plated.

### Technical Notes

Bolt has a 20° angle of movement.



Order No.	Thread size T	L	D	C	H	t	d	Max. load capacity for static load max. Kg
W405.AC508	M 8	60	50	40	82	4,0	5,5	300
W405.AC600	M10	75	50	40	97	4,0	5,5	500
W405.AC620	M12	75	50	40	100	4,0	5,5	750
W405.AC621	M12	75	60	50	100	5,0	5,5	1250
W405.AC622	M12	125	60	50	150	5,0	5,5	1250
W405.AC623	M12	150	60	50	175	5,0	5,5	1250
W405.AC660	M16	75	80	68	106	6,0	6,5	1750
W405.AC661	M16	125	80	68	156	6,0	6,5	1750
W405.AC662	M16	150	80	68	181	6,0	6,5	1750
W405.AC700	M20	125	100	82	164	6,5	9,0	2500
W405.AC701	M20	150	100	82	181	6,5	9,0	2500
W405.AC702	M20	200	100	82	239	6,5	9,0	2500
W405.AC741	M24	150	120	100	206	7,5	11,0	3750
W405.AC742	M24	200	120	100	256	7,5	11,0	3750