

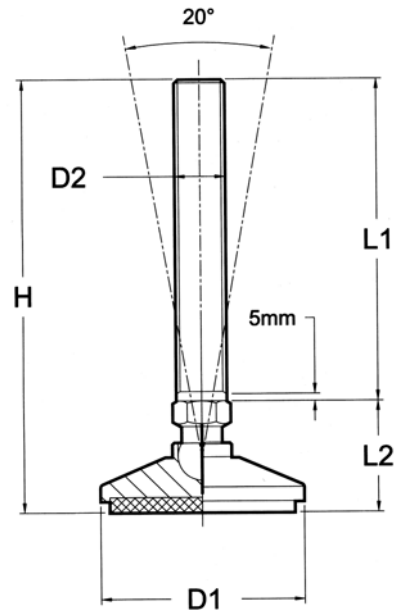
W410



Material
Pad & Bolt: Stainless steel, type
AISI 303. With Nitril rubber pad.

Tips
For use in a wide range of industries
including, food processing,
pharmaceutical, electronic, medical
and machinery shops.

Levelling Feet pad and bolt stainless steel



| Order No. | Thread size D ₂ | L ₁ | l ₂ | D ₁ | H | Max. load capacity for static load max. Kg |
|------------|-------------------------------|----------------|----------------|----------------|-----|---|
| W410.AC120 | M12 | 75 | 27 | 55 | 102 | 750 |
| W410.AC121 | M12 | 125 | 27 | 55 | 152 | 750 |
| W410.AC122 | M12 | 150 | 27 | 55 | 177 | 750 |
| W410.AC160 | M16 | 75 | 33 | 65 | 108 | 1250 |
| W410.AC161 | M16 | 125 | 33 | 65 | 158 | 1250 |
| W410.AC162 | M16 | 150 | 33 | 65 | 183 | 1250 |
| W410.AC200 | M20 | 125 | 41 | 75 | 166 | 1750 |
| W410.AC201 | M20 | 150 | 41 | 75 | 191 | 1750 |
| W410.AC202 | M20 | 200 | 41 | 75 | 241 | 1750 |
| W410.AC240 | M24 | 125 | 52 | 100 | 177 | 2500 |
| W410.AC241 | M24 | 150 | 52 | 100 | 202 | 2500 |
| W410.AC242 | M24 | 200 | 52 | 100 | 252 | 2500 |

