

Levelling Feet - Bolt Down

pad and bolt **stainless steel**

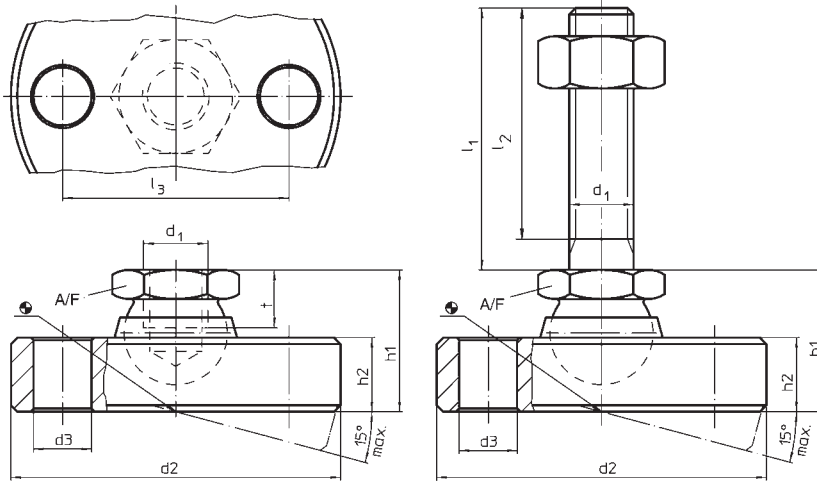


W415



Material
Pad & Bolt: Stainless steel 1.4305/
AISI 303.

Technical Notes
To be used as foot and thrust pad.
Including two mounting holes in
pad.



Order No.	Finish	d ₁	l ₁	d ₂ -0,5	d ₃	l ₂	l ₃	h ₁ ≈	h ₂	t	A/F	Max. load capacity for static load max kN	g
W415.AC706	Pad	M 6	-	45	6,6	-	32	14	6,5	5,0	10	8	79
W415.AC708	Pad	M 8	-	50	6,6	-	38	18	8,5	7,0	13	14	130
W415.AC710	Pad	M10	-	60	9,0	-	44	22	11,5	9,0	17	16	248
W415.AC712	Pad	M12	-	65	9,0	-	48	26	12,5	11,0	19	28	323
W415.AC716	Pad	M16	-	70	9,0	-	54	32	13,5	13,5	24	36	427
W415.AC720	Pad	M20	-	80	9,0	-	64	42	16,5	17,0	30	44	724
W415.AC724	Pad	M24	-	100	11,0	-	78	45	20,5	19,0	36	52	1325
W415.AC810	Pad and bolt	M 6	60	45	6,6	57,0	32	14	6,5	-	10	8	92
W415.AC822	Pad and bolt	M 8	80	50	6,6	76,0	38	18	8,5	-	13	14	163
W415.AC838	Pad and bolt	M10	100	60	9,0	95,5	44	22	11,5	-	17	16	316
W415.AC842	Pad and bolt	M10	150	60	9,0	145,5	44	22	11,5	-	17	16	340
W415.AC852	Pad and bolt	M12	100	65	9,0	94,5	48	26	12,5	-	19	28	406
W415.AC856	Pad and bolt	M12	150	65	9,0	144,5	48	26	12,5	-	19	28	440
W415.AC868	Pad and bolt	M16	100	70	9,0	94,5	54	32	13,5	-	24	36	585
W415.AC872	Pad and bolt	M16	200	70	9,0	194,0	54	32	13,5	-	24	36	715
W415.AC882	Pad and bolt	M20	100	80	9,0	92,5	64	42	16,5	-	30	44	985
W415.AC888	Pad and bolt	M20	200	80	9,0	192,5	64	42	16,5	-	30	44	1180
W415.AC895	Pad and bolt	M24	100	100	11,0	91,0	78	45	20,5	-	36	52	1710
W415.AC898	Pad and bolt	M24	200	100	11,0	191,0	78	45	20,5	-	36	52	2000

